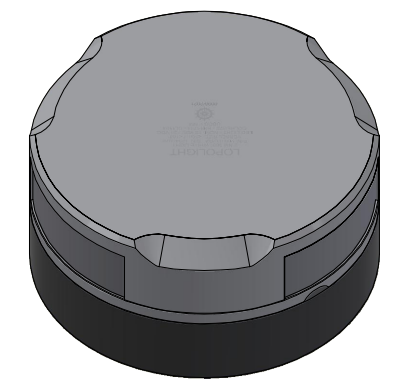
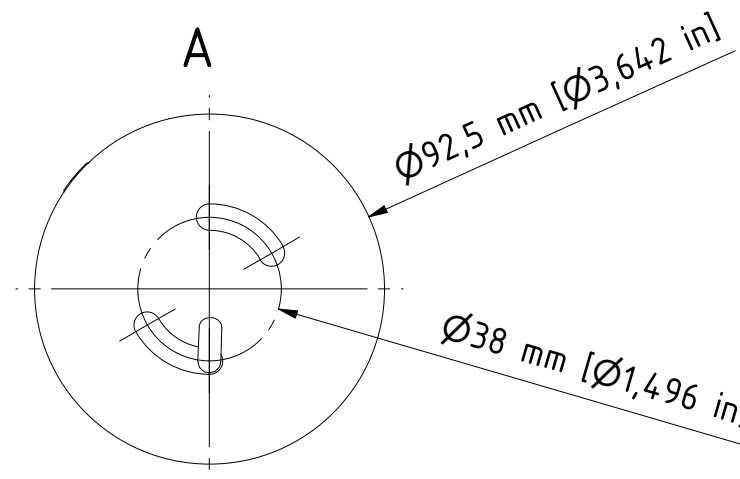
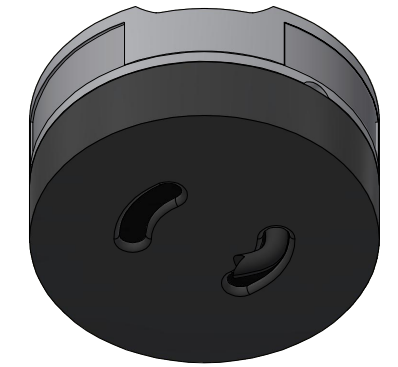
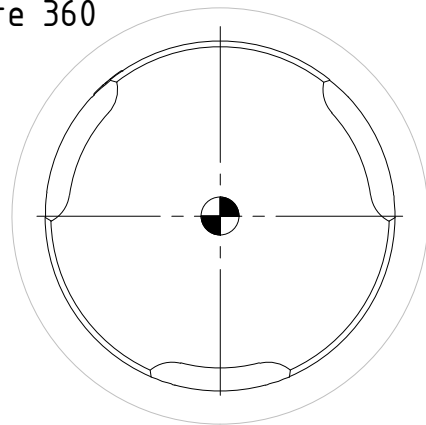


Note:

The PE Plastic base is intended for fitting on site and can be either drilled for mounting screws from above. 6mm screws with nuts and washers are recommended for secure mounting.



White 360



Estimated weight: 0,55 kg (1,21 lbs)

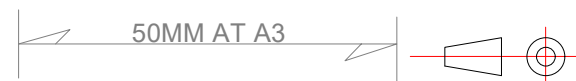
TITLE: 200-012G2 / 201-012 2nm 360° white On a 400-038 PE std base					
DRAWING No.: 200-012G2 / 201-012				Sheet No.: 1	DRAWN BY: LSA
SCALE: 1 : 2	SIZE: A3	REV. NO.:	TOLERANCES: DS/ISO 2768-f	REVIEWED BY:	CREATION DATE: 20-05-2021
MATERIAL DESCRIPTION: Alu. EN6082, Acrylic, PE					
<small>(25µ) Silver anodized according to EN ISO 7599 (50µ) Black anodized according to MIL-A 8625F</small>					

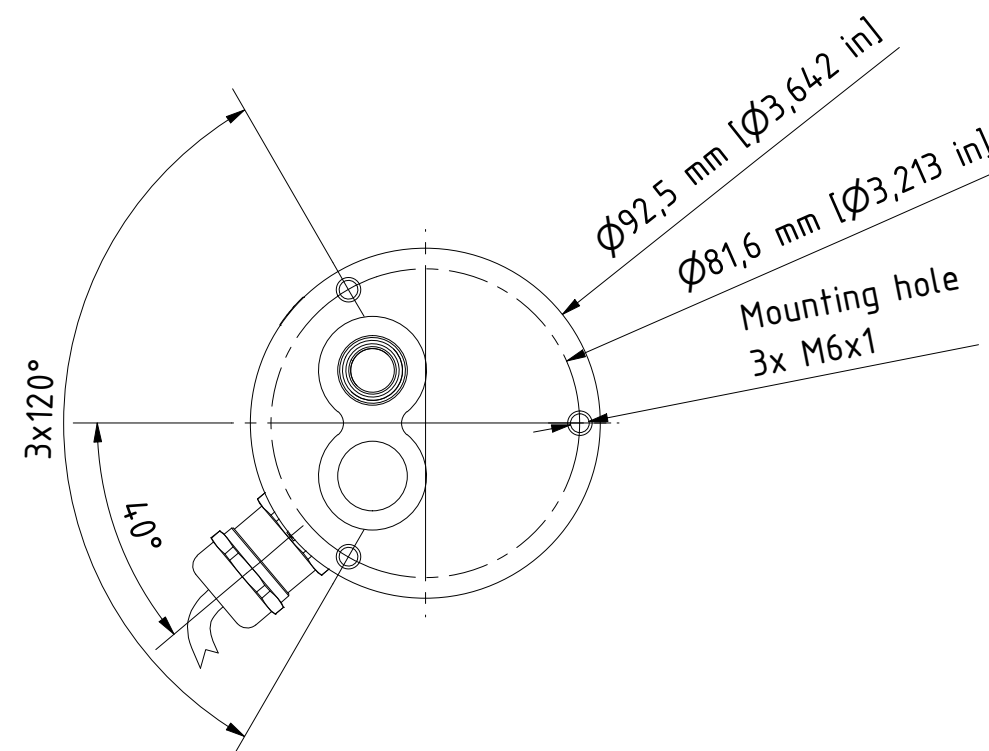
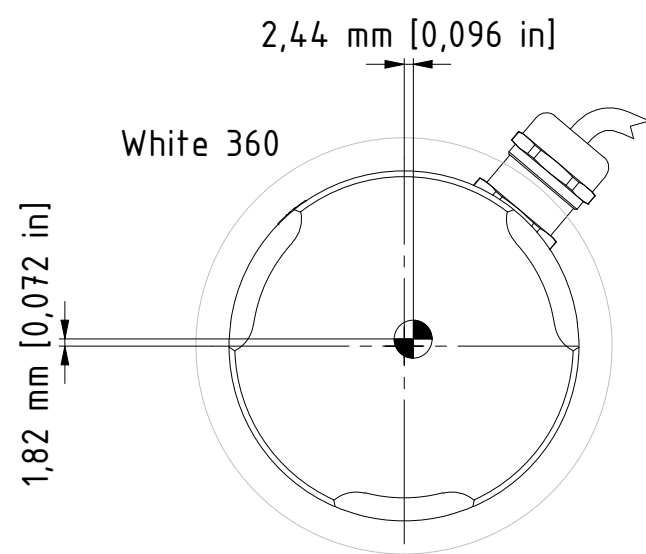
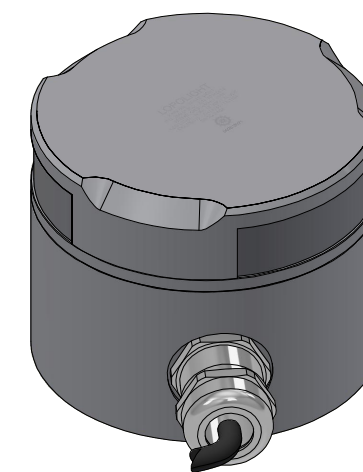
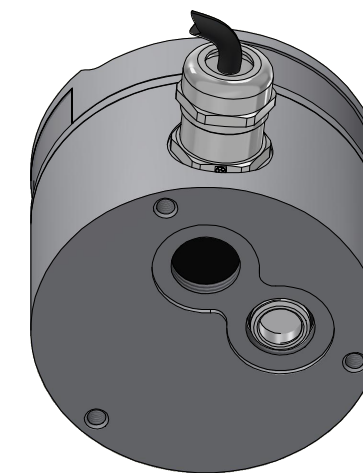
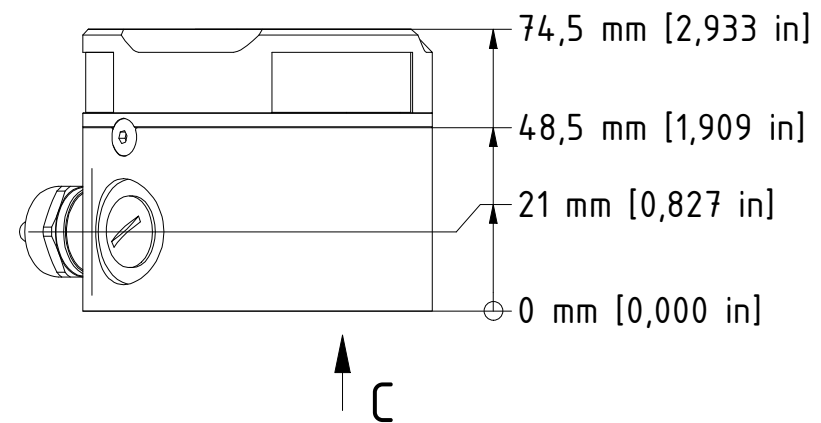
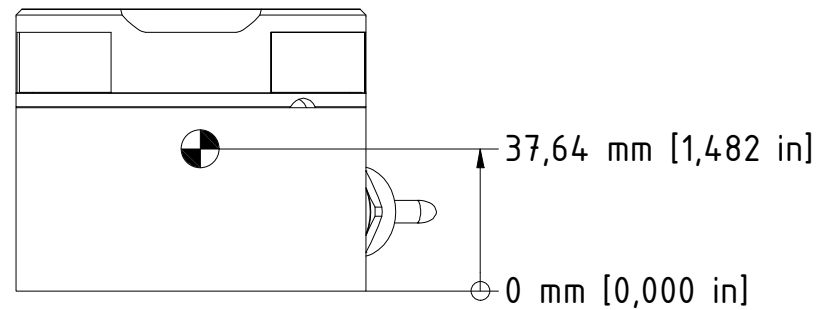
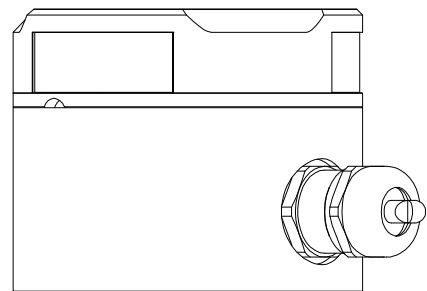
This Drawing, and the information within, is the property of Lopolight ApS and may not be used in any form without express permission there from. Lopolight reserves the right to change this drawing and assumes no liability for the information communicated herein. Use of dimensions and other information in this drawing is at the users own risk.



Lopolight ApS
 Bakkegaardsvej 513
 DK-3050, Humlebaek
 Denmark
 www.lopolight.com

Tel: (+45) 32 48 50 30
 info@lopolight.com





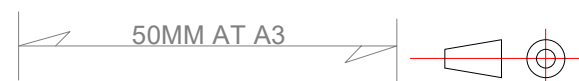
Estimated weight: 0,9 kg (1,99 lbs)

TITLE: 200-012G2 / 201-012 2nm 360° white On a 400-034 Promount base, Cable Side					
DRAWING No.: 200-012G2 / 201-012				Sheet No.: 2	DRAWN BY: LSA
SCALE: 1 : 2	SIZE: A3	REV. NO.:	TOLERANCES: DS/ISO 2768-f	REVIEWED BY:	CREATION DATE: 20-05-2021
MATERIAL DESCRIPTION: Alu. EN6082, Acrylic					
<small>(25µ) Silver anodized according to EN ISO 7599 (50µ) Black anodized according to MIL-A 8625F</small>					

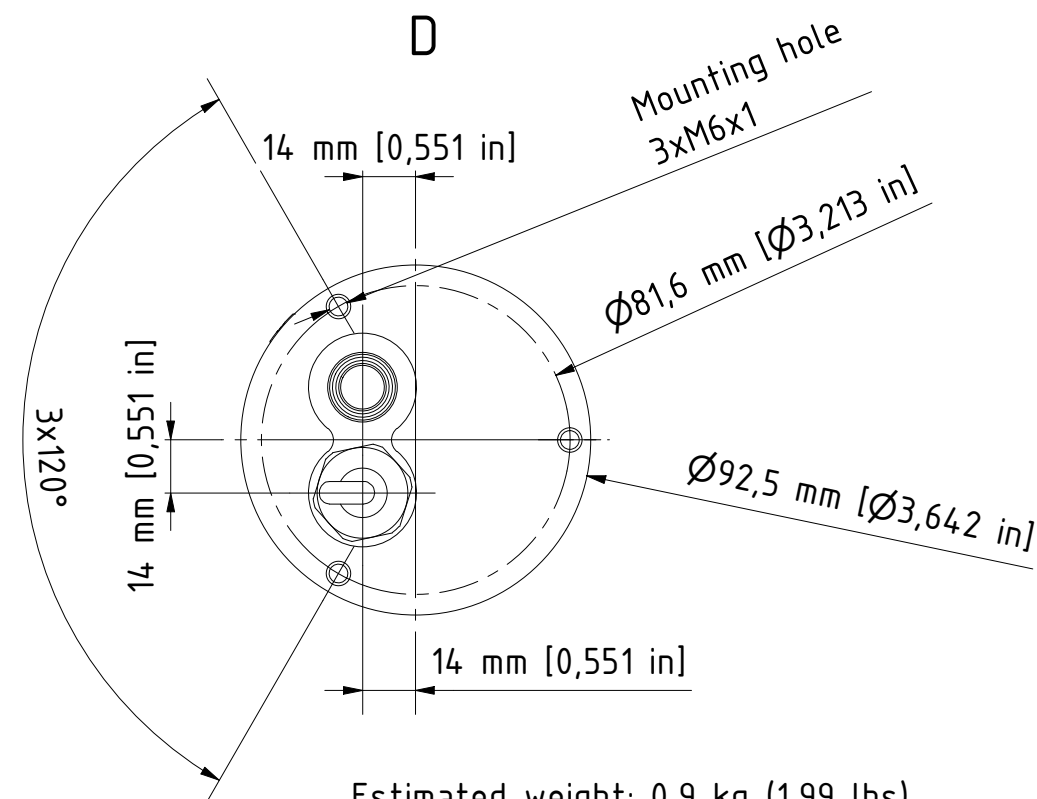
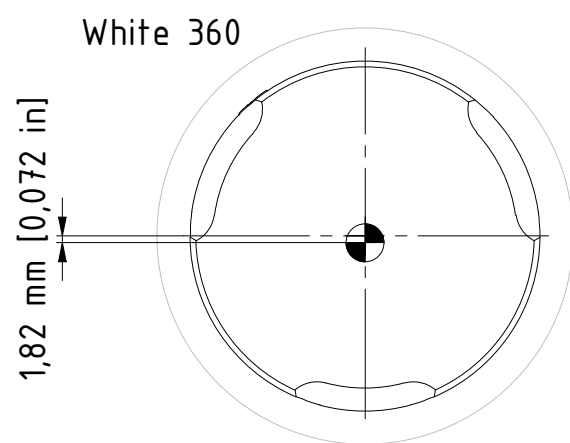
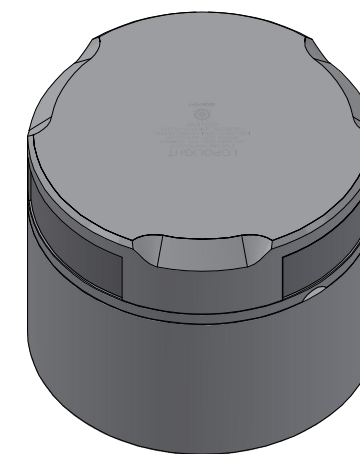
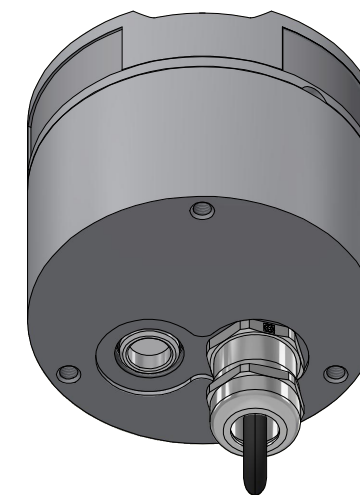
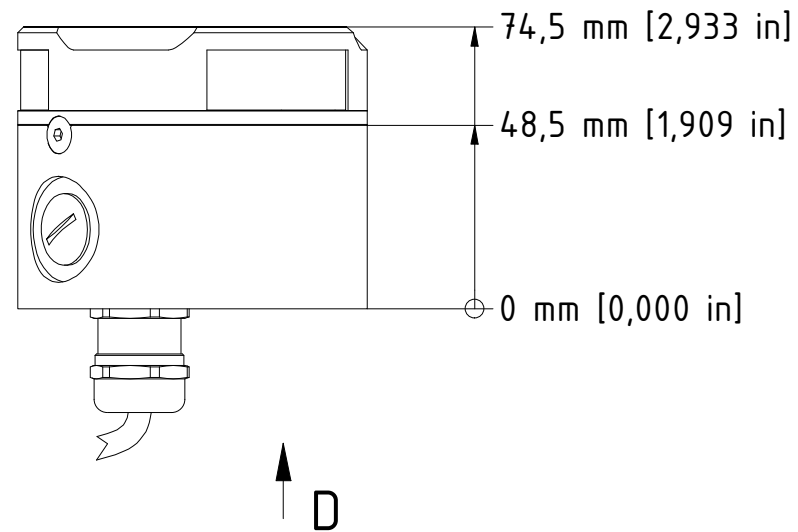
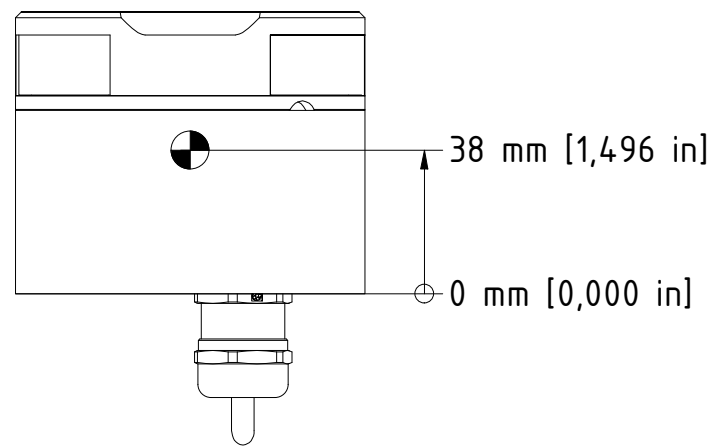
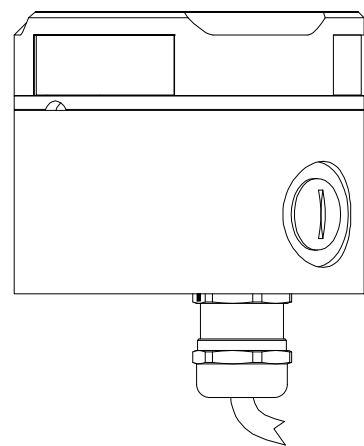


Lopolight ApS
 Bakkegaardsvej 513
 DK-3050, Humlebaek
 Denmark
 www.lopolight.com

Tel: (+45) 32 48 50 30
 info@lopolight.com



This Drawing, and the information within, is the property of Lopolight ApS and may not be used in any form without express permission there from. Lopolight reserves the right to change this drawing and assumes no liability for the information communicated herein. Use of dimensions and other information in this drawing is at the users own risk.



Estimated weight: 0,9 kg (1,99 lbs)

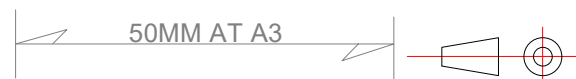
TITLE: 200-012G2 / 201-012 2nm 360° white On a 400-034 Promount base, Cable Down					
DRAWING No.: 200-012G2 / 201-012				Sheet No.: 3	DRAWN BY: LSA
SCALE: 1 : 2	SIZE: A3	REV. NO.:	TOLERANCES: DS/ISO 2768-f	REVIEWED BY:	CREATION DATE: 20-05-2021
MATERIAL DESCRIPTION: Alu. EN6082, Acrylic					
<small>(25µ) Silver anodized according to EN ISO 7599 (50µ) Black anodized according to MIL-A 8625F</small>					

This Drawing, and the information within, is the property of Lopolight ApS and may not be used in any form without express permission there from. Lopolight reserves the right to change this drawing and assumes no liability for the information communicated herein. Use of dimensions and other information in this drawing is at the users own risk.



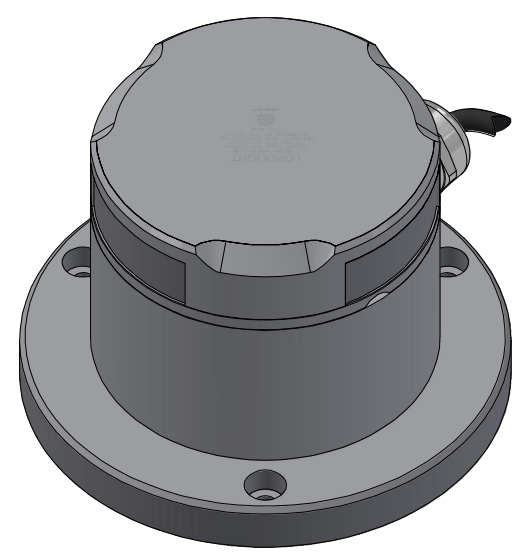
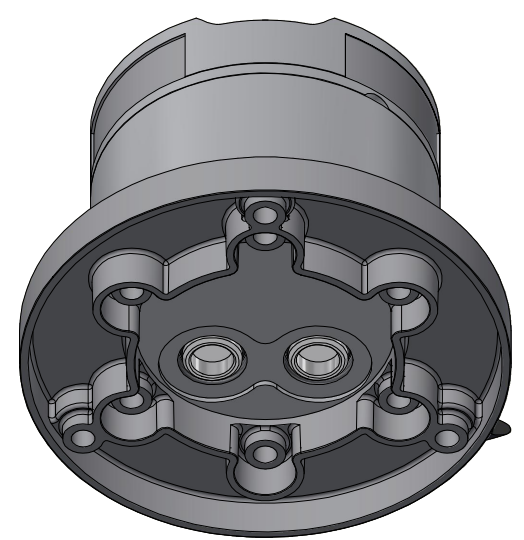
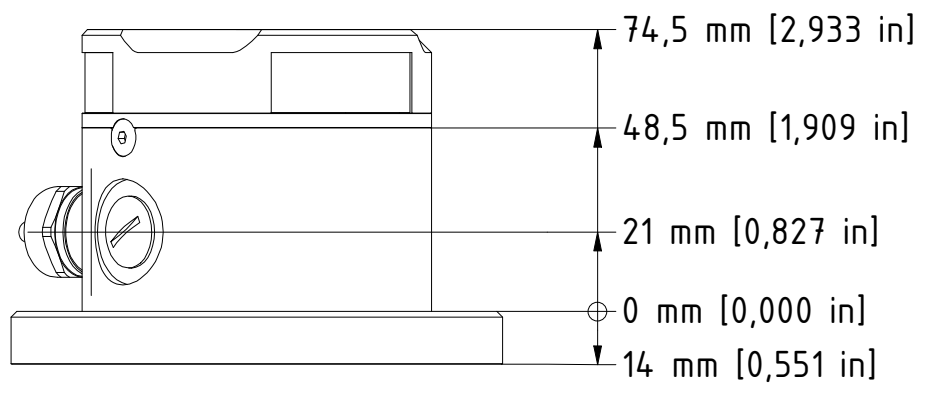
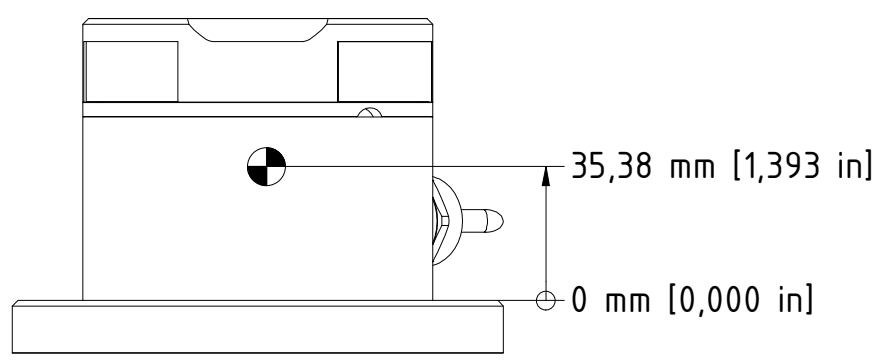
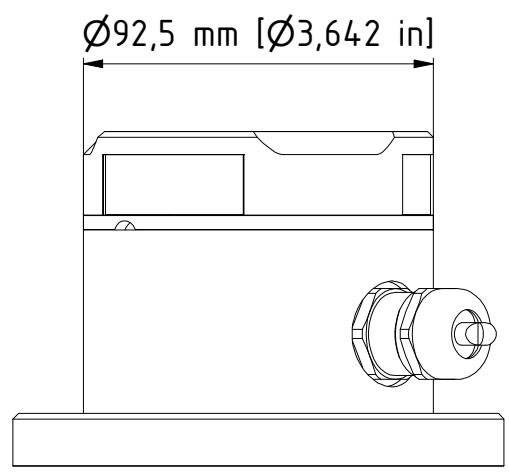
Lopolight ApS
Bakkegaardsvej 513
DK-3050, Humlebaek
Denmark
www.lopolight.com

Tel: (+45) 32 48 50 30
info@lopolight.com



A B C D E F G H I J

1 2 3 4 5 6 7 8



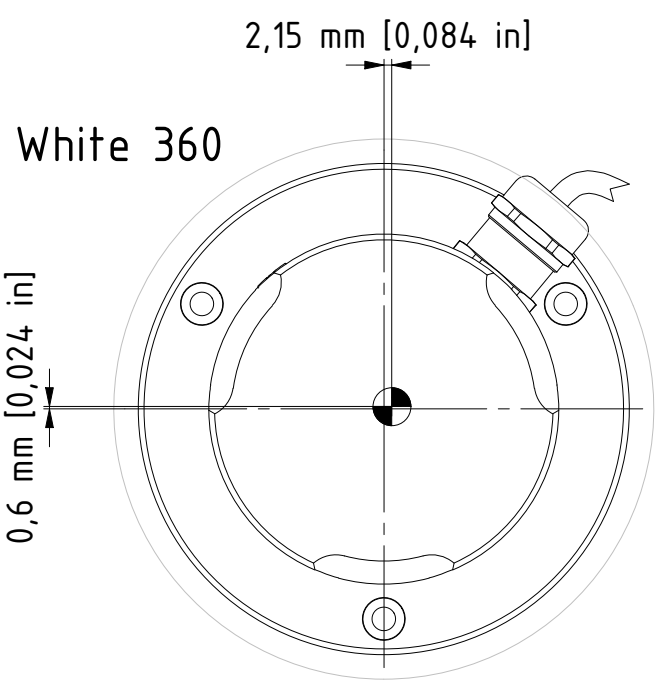
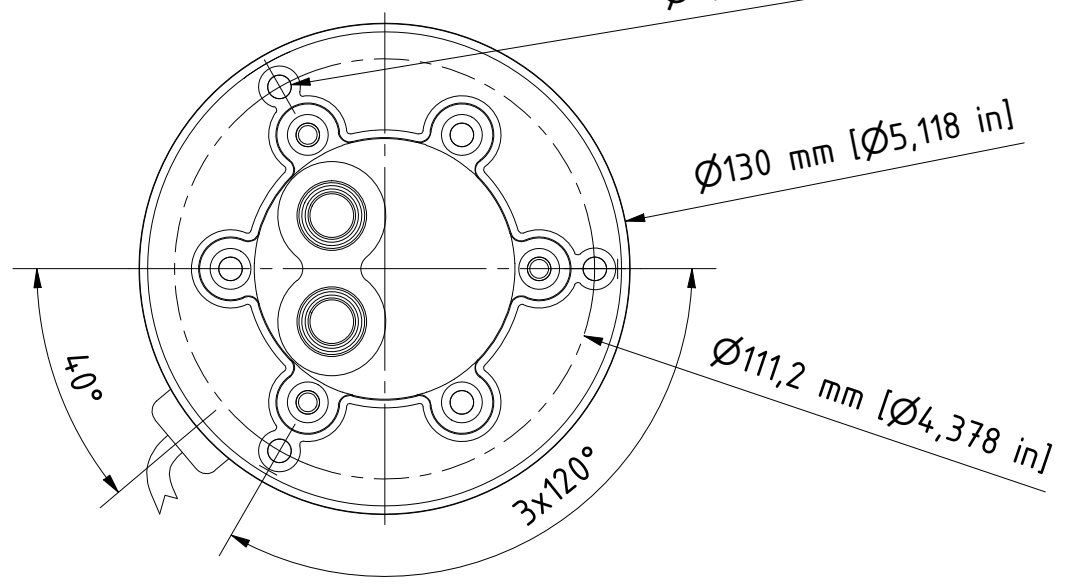
E

E

Mounting hole
 $\varnothing 6,1 \text{ mm } [\varnothing 0,240 \text{ in}]$

$\varnothing 130 \text{ mm } [\varnothing 5,118 \text{ in}]$

$\varnothing 111,2 \text{ mm } [\varnothing 4,378 \text{ in}]$



Estimated weight: 0,95 kg (2,09 lbs)

TITLE: 200-012G2 / 201-012 2nm 360° white On a 400-034 Promount base and 400-404 PE base plate, Cable Side					
DRAWING No.:			Sheet No.:		DRAWN BY:
200-012G2 / 201-012			4		LSA
SCALE:	SIZE:	REV. NO.:	TOLERANCES:	REVIEWED BY:	CREATION DATE:
1 : 2	A3		DS/ISO 2768-f		20-05-2021
MATERIAL DESCRIPTION:					
Alu. EN6082, Acrylic, PE (25µ) Silver anodized according to EN ISO 7599 (50µ) Black anodized according to MIL-A 8625F					



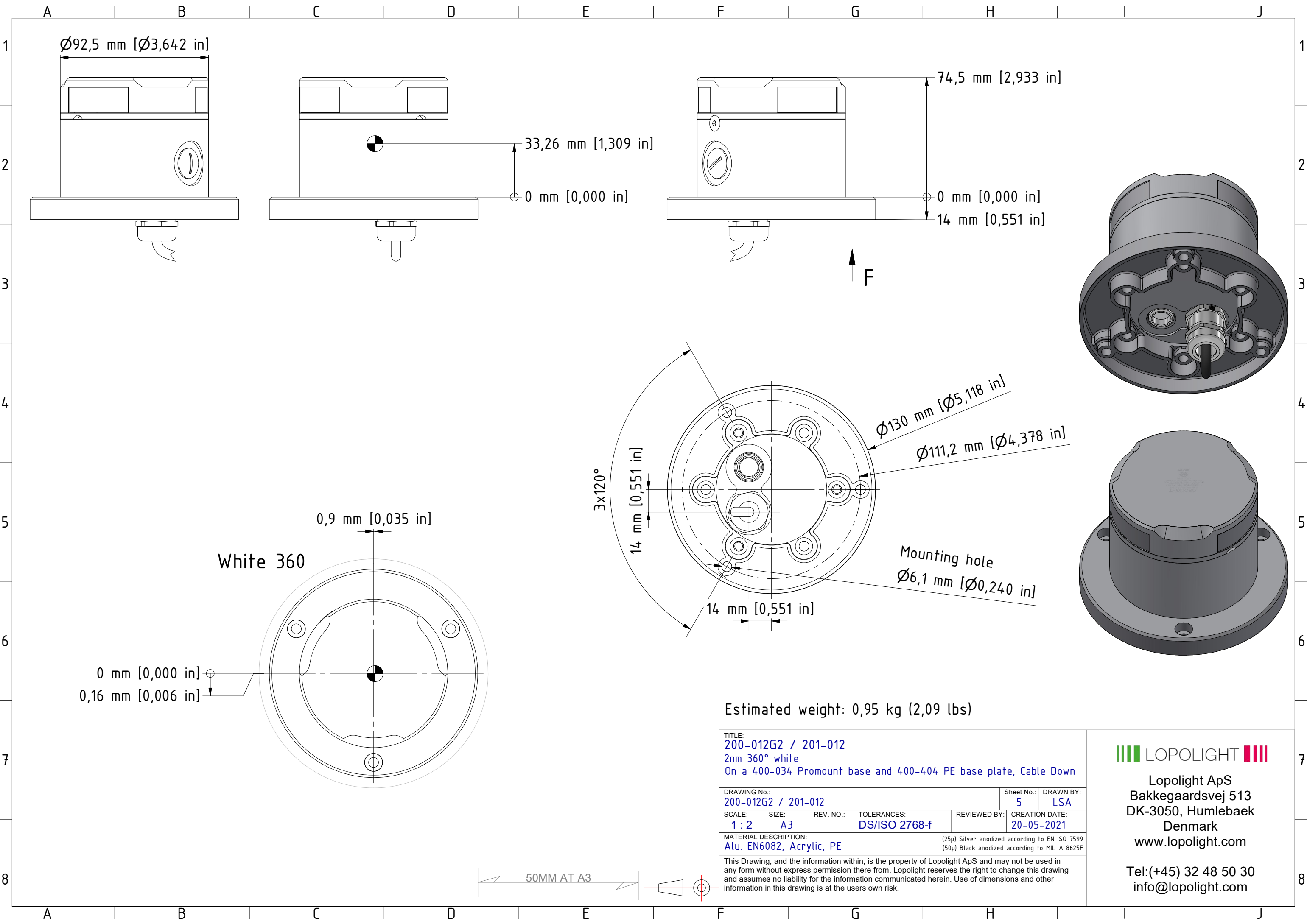
Lopolight ApS
 Bakkegaardsvej 513
 DK-3050, Humlebaek
 Denmark
www.lopolight.com

Tel: (+45) 32 48 50 30
info@lopolight.com



A B C D E F G H I J

8



Ø92,5 mm [Ø3,642 in]

33,26 mm [1,309 in]

0 mm [0,000 in]

74,5 mm [2,933 in]

0 mm [0,000 in]

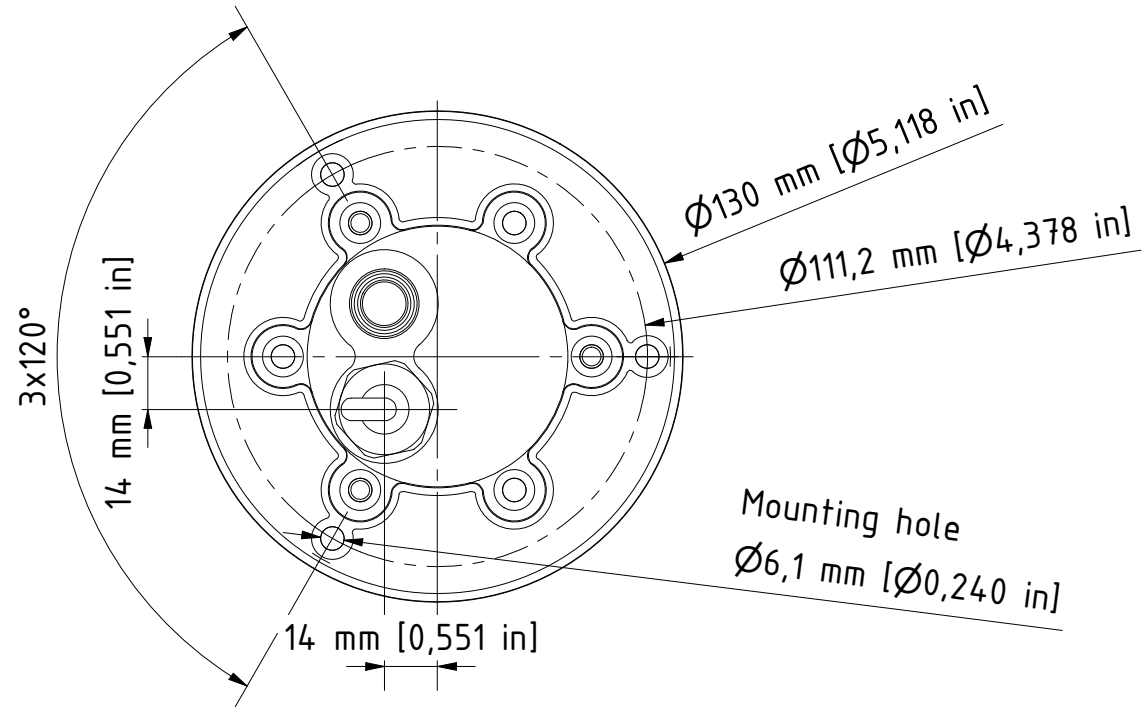
14 mm [0,551 in]

F

White 360

0,9 mm [0,035 in]

0 mm [0,000 in]
0,16 mm [0,006 in]



Estimated weight: 0,95 kg (2,09 lbs)

TITLE: 200-012G2 / 201-012 2nm 360° white On a 400-034 Promount base and 400-404 PE base plate, Cable Down					
DRAWING No.:			Sheet No.:		DRAWN BY:
200-012G2 / 201-012			5		LSA
SCALE:	SIZE:	REV. NO.:	TOLERANCES:	REVIEWED BY:	CREATION DATE:
1 : 2	A3		DS/ISO 2768-f		20-05-2021
MATERIAL DESCRIPTION: Alu. EN6082, Acrylic, PE					
<small>(25µ) Silver anodized according to EN ISO 7599 (50µ) Black anodized according to MIL-A 8625F</small>					

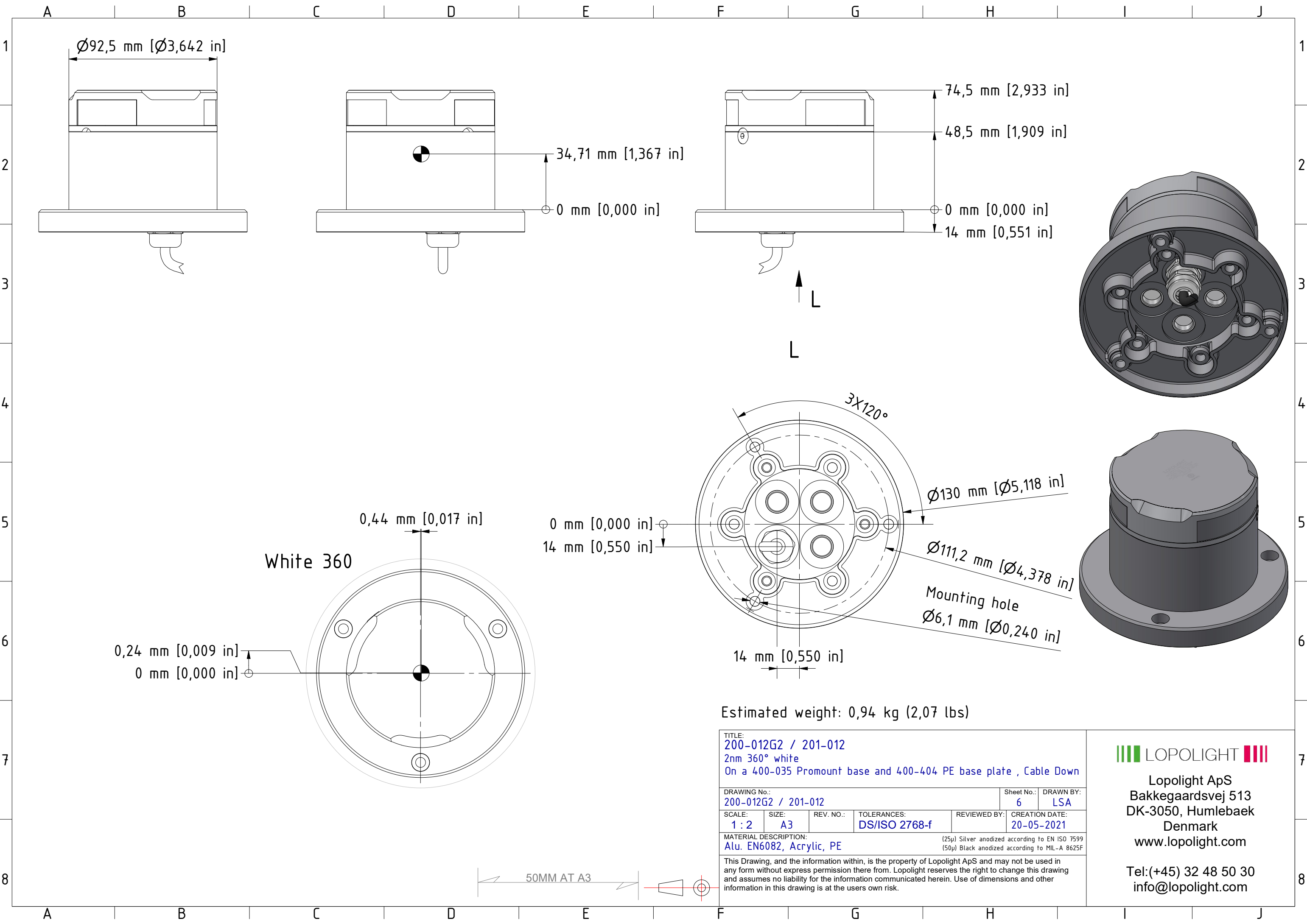


Lopolight ApS
 Bakkegaardsvej 513
 DK-3050, Humlebaek
 Denmark
 www.lopolight.com

Tel: (+45) 32 48 50 30
 info@lopolight.com



This Drawing, and the information within, is the property of Lopolight ApS and may not be used in any form without express permission there from. Lopolight reserves the right to change this drawing and assumes no liability for the information communicated herein. Use of dimensions and other information in this drawing is at the users own risk.



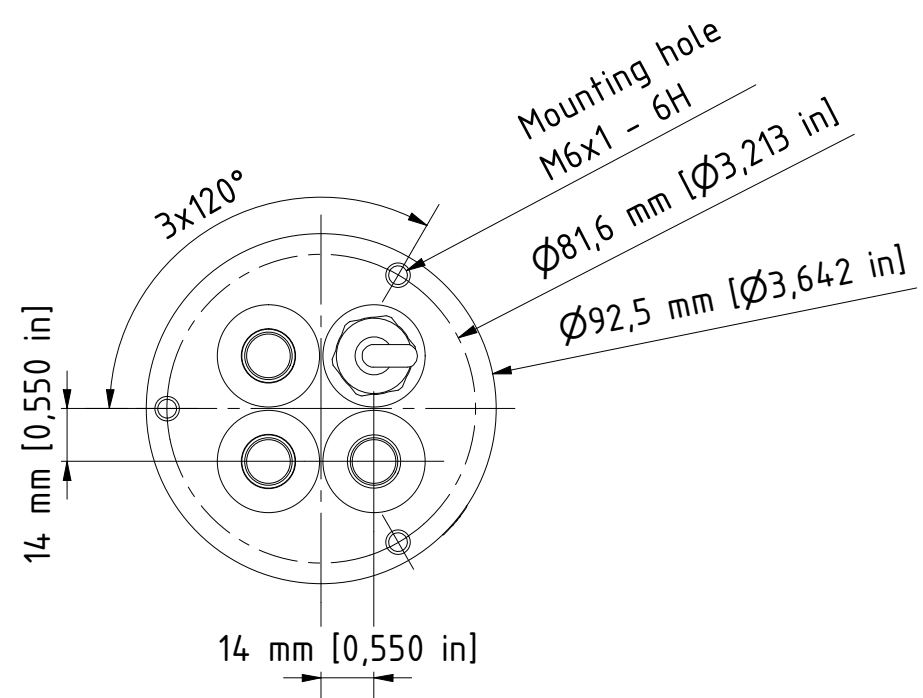
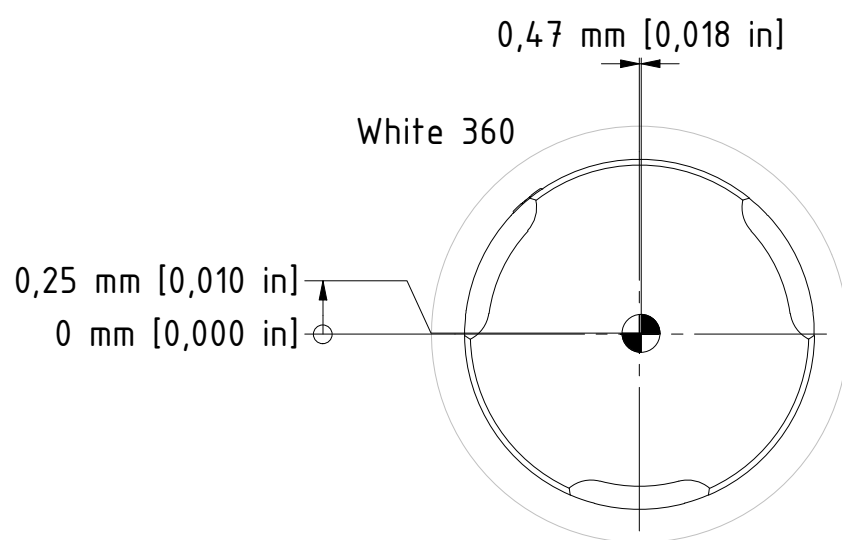
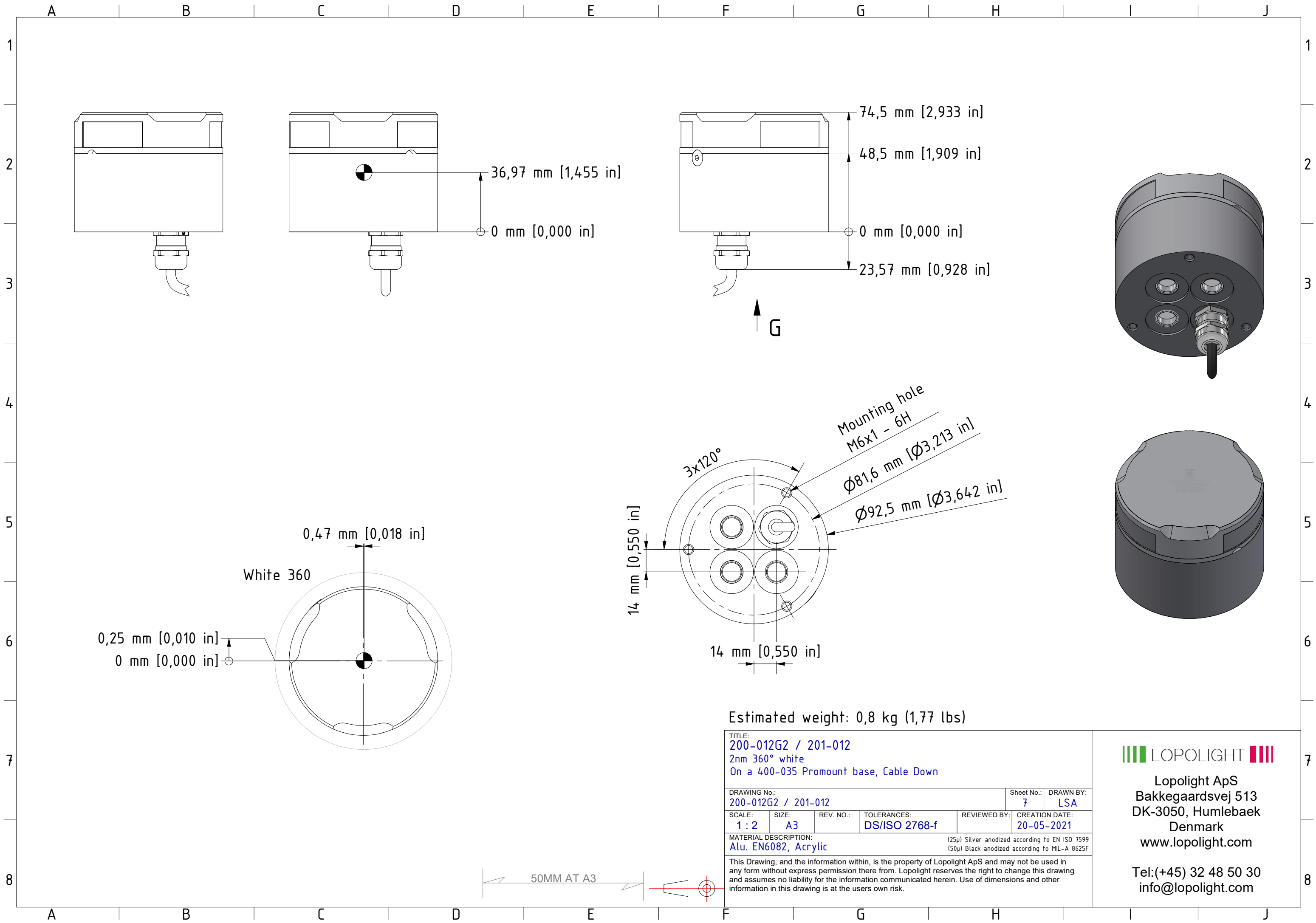
Estimated weight: 0,94 kg (2,07 lbs)

TITLE: 200-012G2 / 201-012 2nm 360° white On a 400-035 Promount base and 400-404 PE base plate , Cable Down					
DRAWING No.:			Sheet No.:		DRAWN BY:
200-012G2 / 201-012			6		LSA
SCALE:	SIZE:	REV. NO.:	TOLERANCES:	REVIEWED BY:	CREATION DATE:
1 : 2	A3		DS/ISO 2768-f		20-05-2021
MATERIAL DESCRIPTION:					
Alu. EN6082, Acrylic, PE <small>(25µ) Silver anodized according to EN ISO 7599 (50µ) Black anodized according to MIL-A 8625F</small>					


Lopolight ApS
 Bakkegaardsvej 513
 DK-3050, Humlebaek
 Denmark
www.lopolight.com
 Tel: (+45) 32 48 50 30
info@lopolight.com

This Drawing, and the information within, is the property of Lopolight ApS and may not be used in any form without express permission there from. Lopolight reserves the right to change this drawing and assumes no liability for the information communicated herein. Use of dimensions and other information in this drawing is at the users own risk.





Estimated weight: 0,8 kg (1,77 lbs)

TITLE: 200-012G2 / 201-012 2nm 360° white On a 400-035 Promount base, Cable Down					
DRAWING No.:				Sheet No.:	DRAWN BY:
200-012G2 / 201-012				7	LSA
SCALE:	SIZE:	REV. NO.:	TOLERANCES:	REVIEWED BY:	CREATION DATE:
1 : 2	A3		DS/ISO 2768-f		20-05-2021
MATERIAL DESCRIPTION:					
Alu. EN6082, Acrylic <small>(25µ) Silver anodized according to EN ISO 7599 (50µ) Black anodized according to MIL-A 8625F</small>					

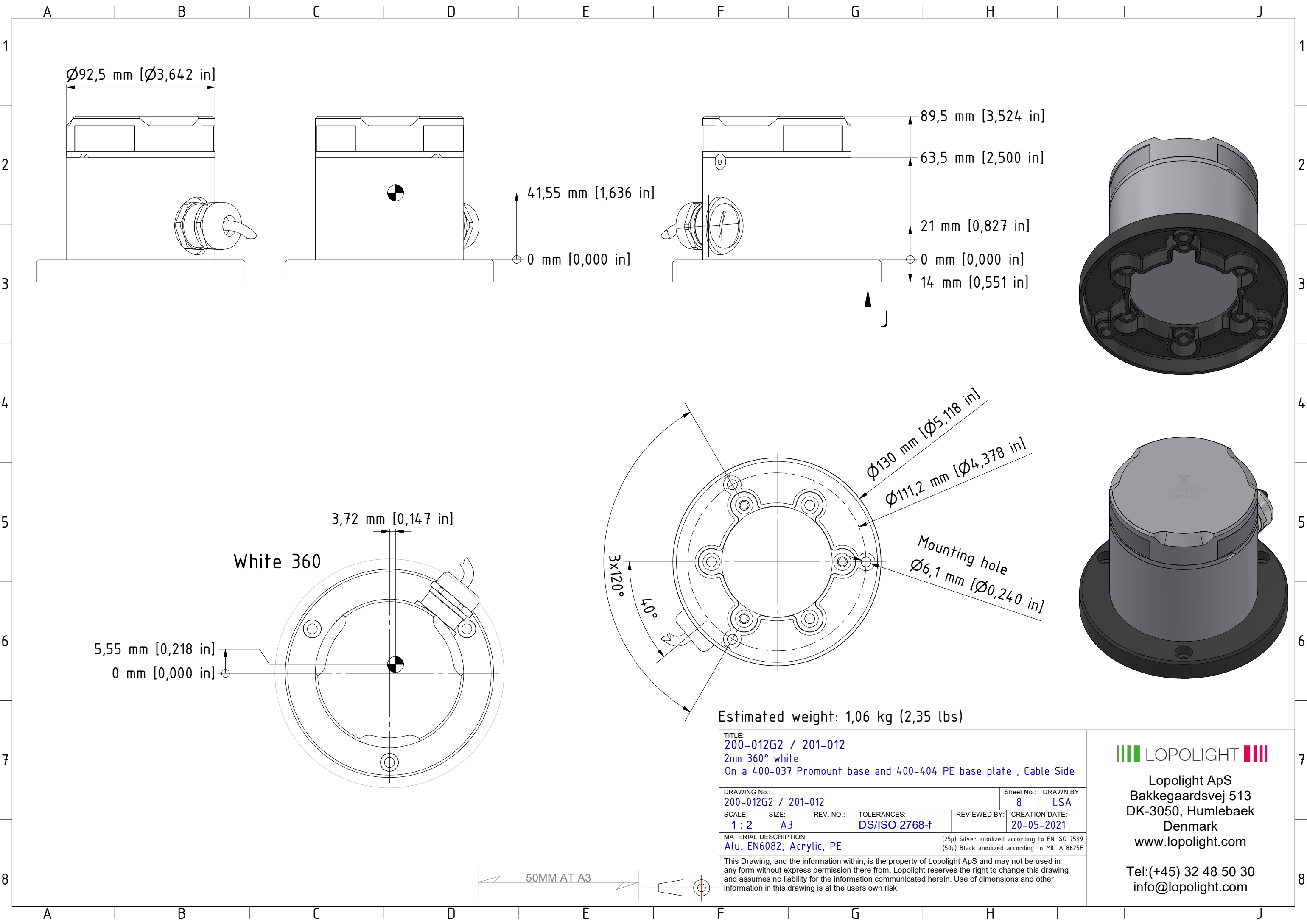
This Drawing, and the information within, is the property of Lopolight ApS and may not be used in any form without express permission there from. Lopolight reserves the right to change this drawing and assumes no liability for the information communicated herein. Use of dimensions and other information in this drawing is at the users own risk.

LOPOLIGHT

Lopolight ApS
 Bakkegaardsvej 513
 DK-3050, Humlebaek
 Denmark
www.lopolight.com

Tel: (+45) 32 48 50 30
info@lopolight.com





Ø92,5 mm [Ø3,642 in]

41,55 mm [1,636 in]

89,5 mm [3,524 in]

63,5 mm [2,500 in]

21 mm [0,827 in]

0 mm [0,000 in]

0 mm [0,000 in]

14 mm [0,551 in]

White 360

3,72 mm [0,147 in]

5,55 mm [0,218 in]

0 mm [0,000 in]

Ø130 mm [Ø5,118 in]

Ø111,2 mm [Ø4,378 in]

Mounting hole
Ø6,1 mm [Ø0,240 in]

3x120°

40°

Estimated weight: 1,06 kg (2,35 lbs)

TITLE: 200-012G2 / 201-012 2nm 360° white On a 400-037 Promount base and 400-404 PE base plate , Cable Side					
DRAWING No.: 200-012G2 / 201-012			Sheet No.: 8		DRAWN BY: LSA
SCALE: 1 : 2	SIZE: A3	REV. NO.:	TOLERANCES: DS/ISO 2768-f	REVIEWED BY:	CREATION DATE: 20-05-2021
MATERIAL DESCRIPTION: Alu. EN6082, Acrylic, PE					
<small>(25µ) Silver anodized according to EN ISO 7599 (50µ) Black anodized according to MIL-A 8625F</small>					

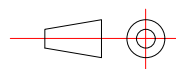
This Drawing, and the information within, is the property of Lopolight ApS and may not be used in any form without express permission there from. Lopolight reserves the right to change this drawing and assumes no liability for the information communicated herein. Use of dimensions and other information in this drawing is at the users own risk.

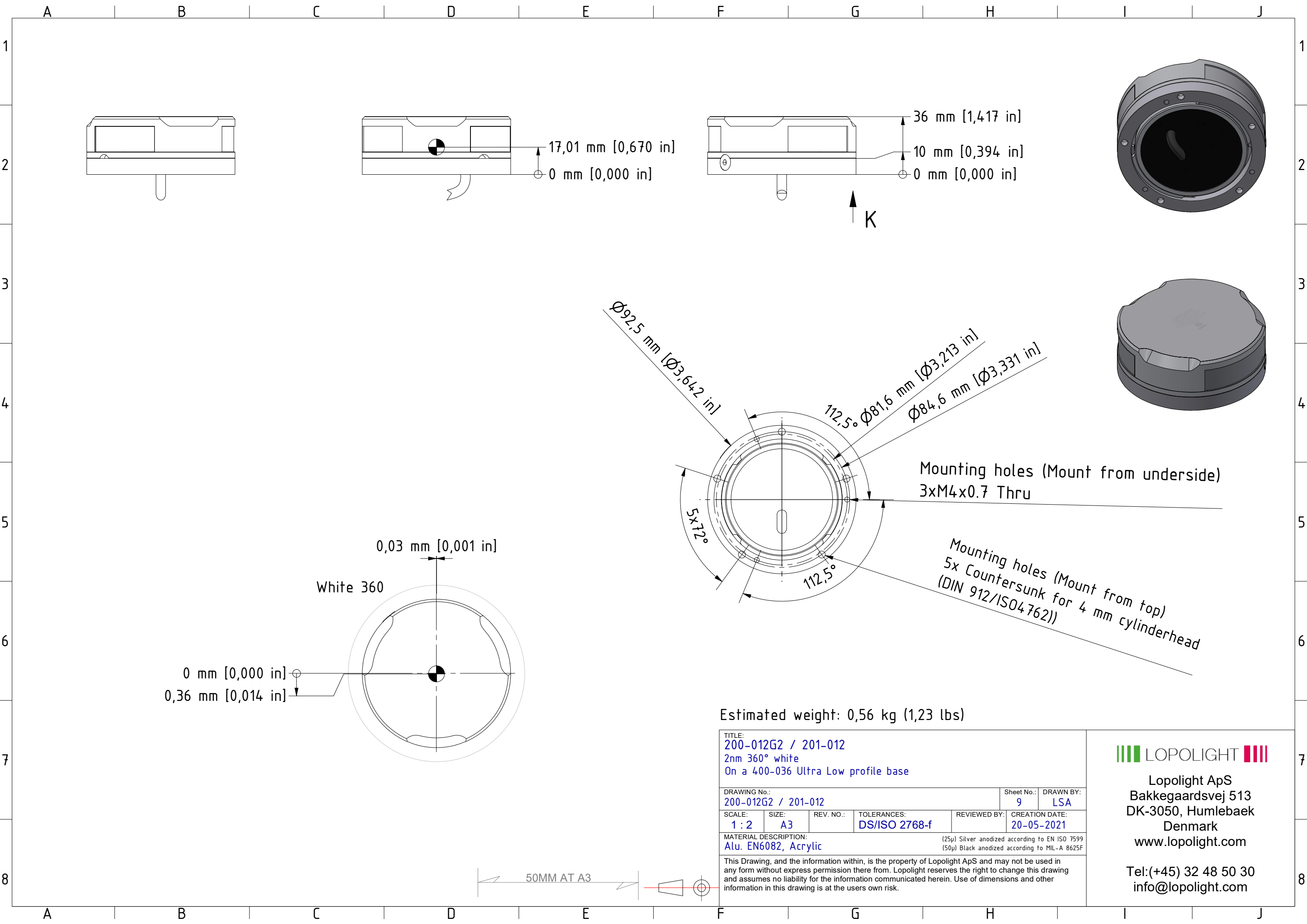


Lopolight ApS
 Bakkegaardsvej 513
 DK-3050, Humlebaek
 Denmark
 www.lopolight.com

Tel:(+45) 32 48 50 30
 info@lopolight.com

50MM AT A3





TITLE: 200-012G2 / 201-012 2nm 360° white On a 400-036 Ultra Low profile base					
DRAWING No.: 200-012G2 / 201-012				Sheet No.: 9	DRAWN BY: LSA
SCALE: 1 : 2	SIZE: A3	REV. NO.:	TOLERANCES: DS/ISO 2768-f	REVIEWED BY:	CREATION DATE: 20-05-2021
MATERIAL DESCRIPTION: Alu. EN6082, Acrylic					
<small>(25µ) Silver anodized according to EN ISO 7599 (50µ) Black anodized according to MIL-A 8625F</small>					



Lopolight ApS
 Bakkegaardsvej 513
 DK-3050, Humlebaek
 Denmark
www.lopolight.com
 Tel: (+45) 32 48 50 30
info@lopolight.com

50MM AT A3

This Drawing, and the information within, is the property of Lopolight ApS and may not be used in any form without express permission there from. Lopolight reserves the right to change this drawing and assumes no liability for the information communicated herein. Use of dimensions and other information in this drawing is at the users own risk.