

46,23 [1,82]

88,5 [3,48]
66,5 [2,62]
62,5 [2,46]

14 [0,55]
0 [0]
9,57 [0,38]

0 [0]
14 [0,55]
Ø130 [Ø5,12]
Ø111,2 [Ø4,38]
Mounting holes
3XØ6,1 [Ø0,24]
14 [0,55]
3X120°

0,36 [0,01]
0 [0]

Red 360°

Dimensions : Millimetres [Inches]
Estimated weight:0,83 kg (1,82 lbs)

TITLE: 300-114G2 / 301-114 3nm 360° Red, silver anodized On a 400-035 Promount base and 400-404 PE base plate , Cable Down					
DRAWING No.: 300-114G2 / 301-114			Sheet No.: 1	DRAWN BY: LSA	
SCALE: 1 : 2	SIZE: A3	REV. NO.:	TOLERANCES: DS/ISO 2768-f	REVIEWED BY:	CREATION DATE: 19-11-2024
MATERIAL DESCRIPTION: Alu. EN6082, Acrylic, PE					
<small>(20µ) Silver anodized according to EN ISO 7599 (50µ) Black anodized according to MIL-A 8625F</small>					

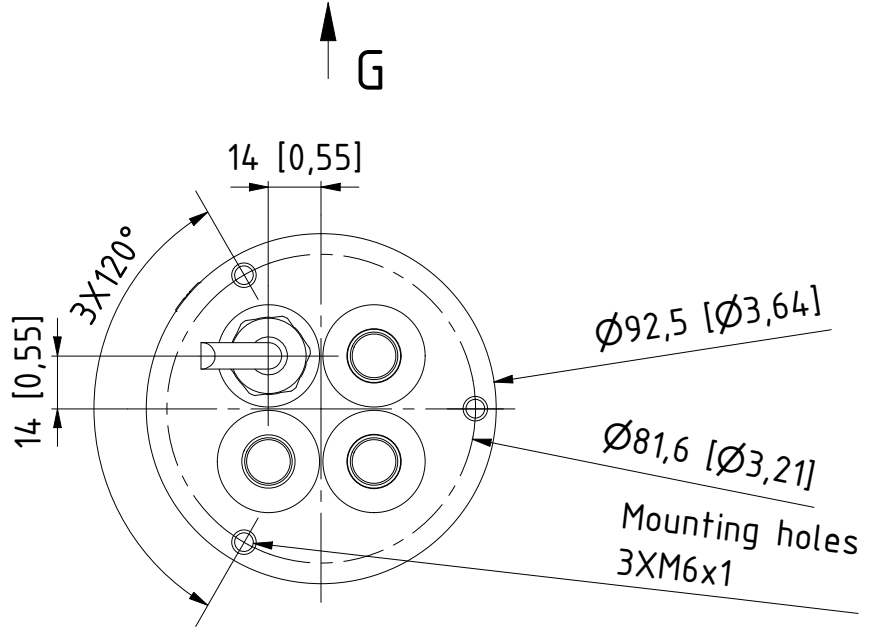
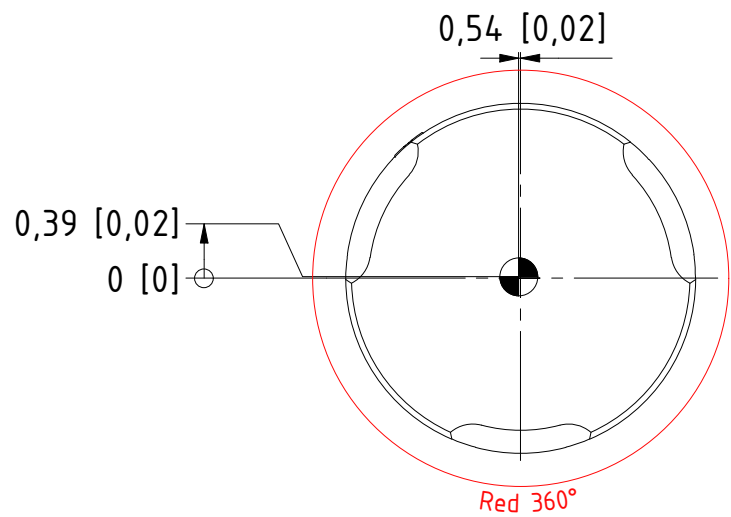
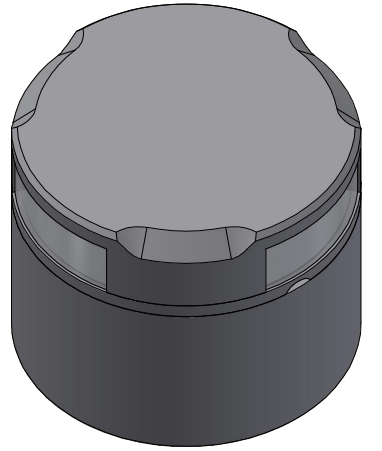
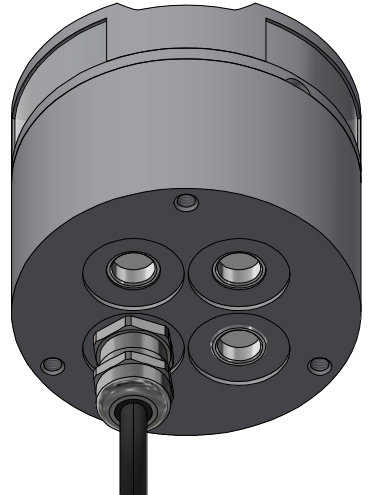
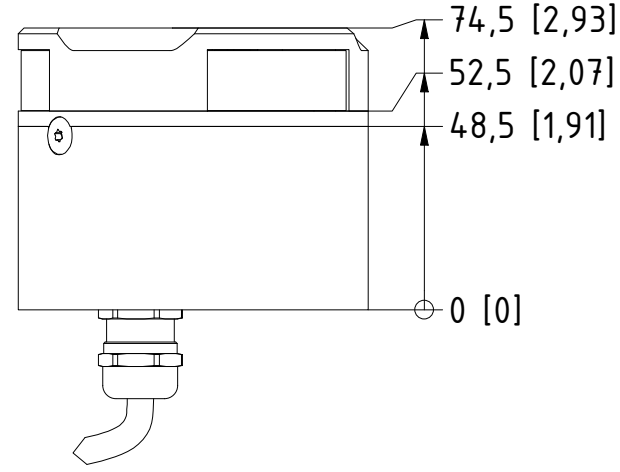
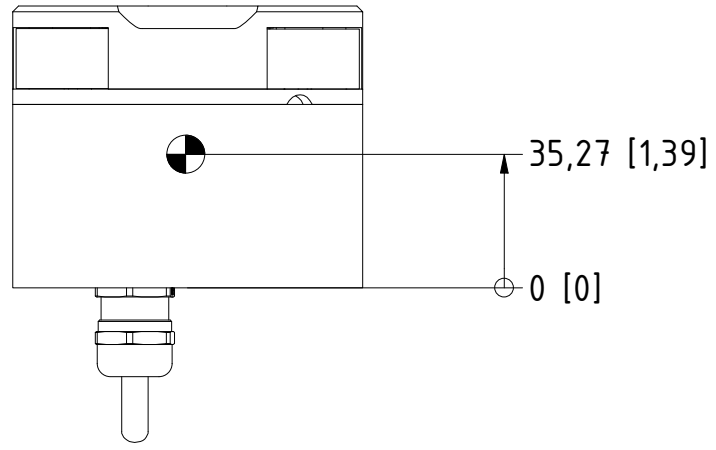
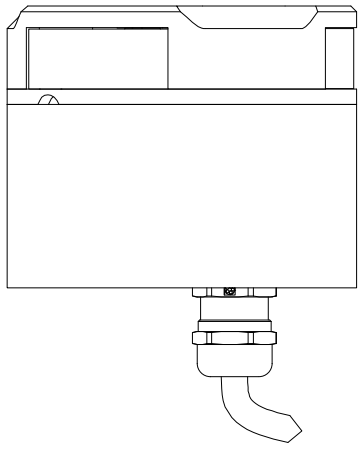
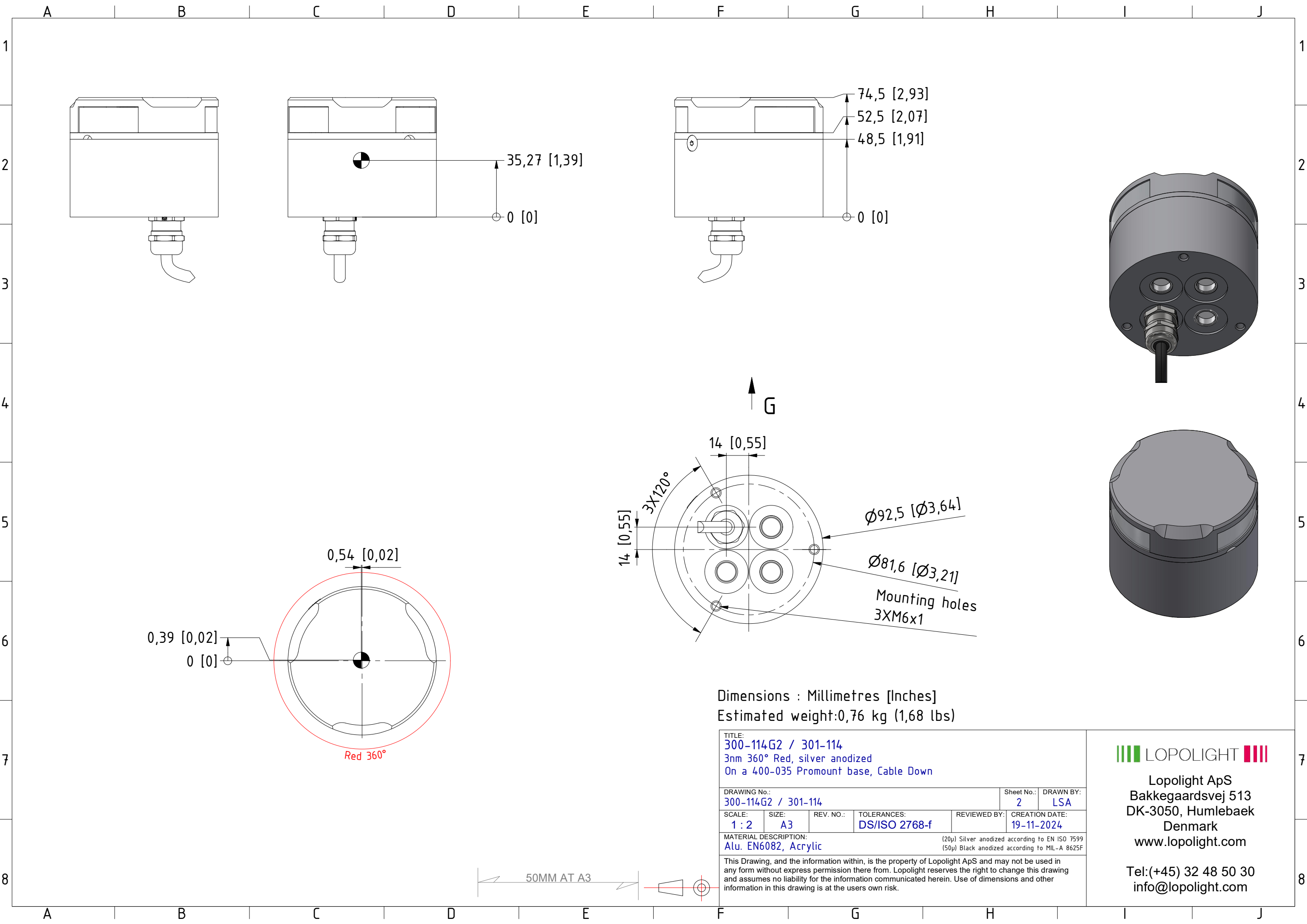
This Drawing, and the information within, is the property of Lopolight ApS and may not be used in any form without express permission there from. Lopolight reserves the right to change this drawing and assumes no liability for the information communicated herein. Use of dimensions and other information in this drawing is at the users own risk.



Lopolight ApS
Bakkegaardsvej 513
DK-3050, Humlebaek
Denmark
www.lopolight.com

Tel:(+45) 32 48 50 30
info@lopolight.com

50MM AT A3



Dimensions : Millimetres [Inches]
 Estimated weight:0,76 kg (1,68 lbs)

TITLE: 300-114G2 / 301-114 3nm 360° Red, silver anodized On a 400-035 Promount base, Cable Down					
DRAWING No.: 300-114G2 / 301-114				Sheet No.: 2	DRAWN BY: LSA
SCALE: 1 : 2	SIZE: A3	REV. NO.:	TOLERANCES: DS/ISO 2768-f	REVIEWED BY:	CREATION DATE: 19-11-2024
MATERIAL DESCRIPTION: Alu. EN6082, Acrylic					
<small>(20µ) Silver anodized according to EN ISO 7599 (50µ) Black anodized according to MIL-A 8625F</small>					

LOPOLIGHT

Lopolight ApS
 Bakkegaardsvej 513
 DK-3050, Humlebaek
 Denmark
 www.lopolight.com

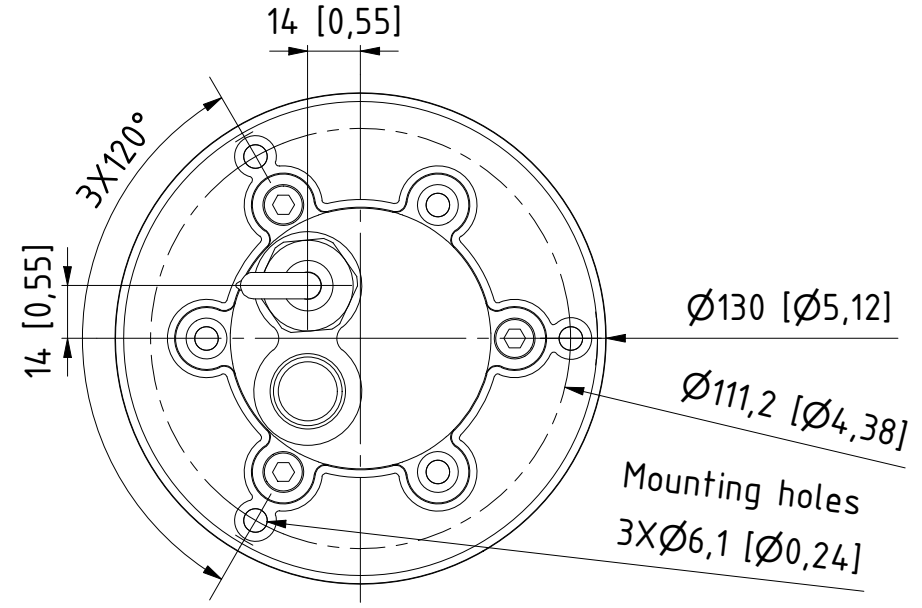
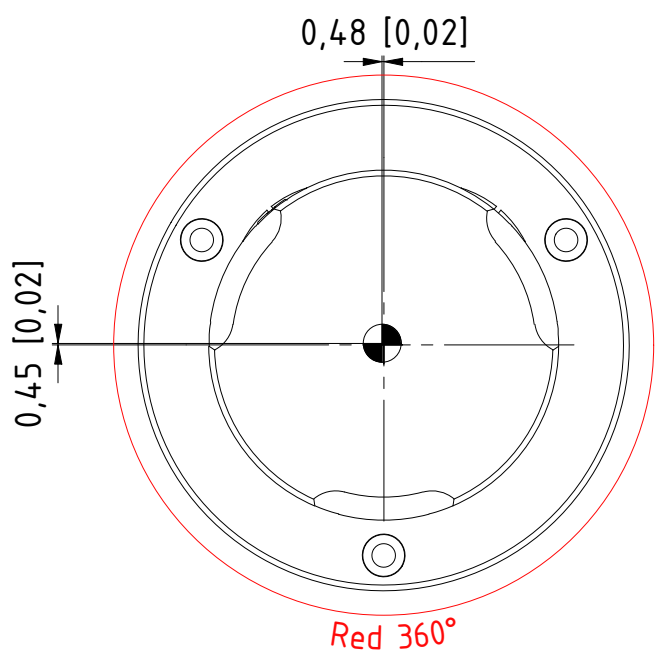
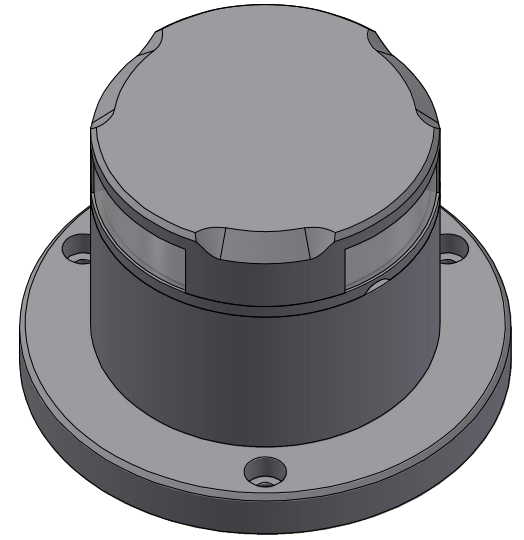
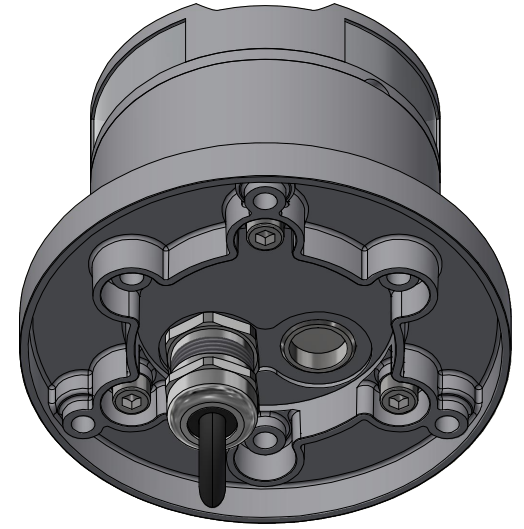
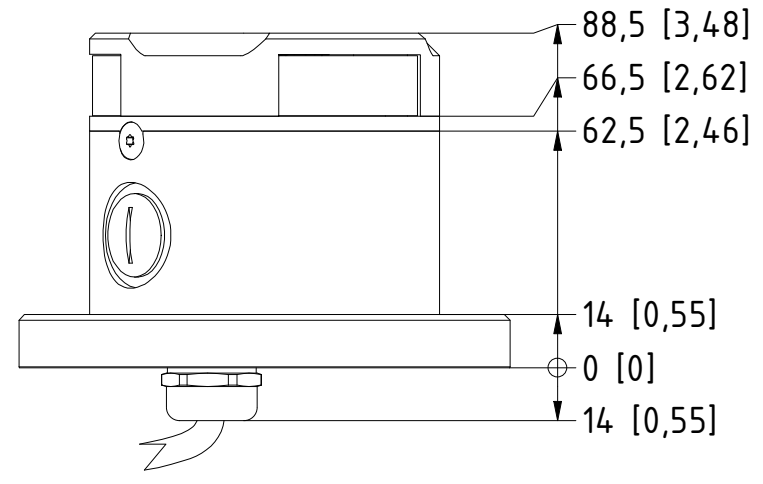
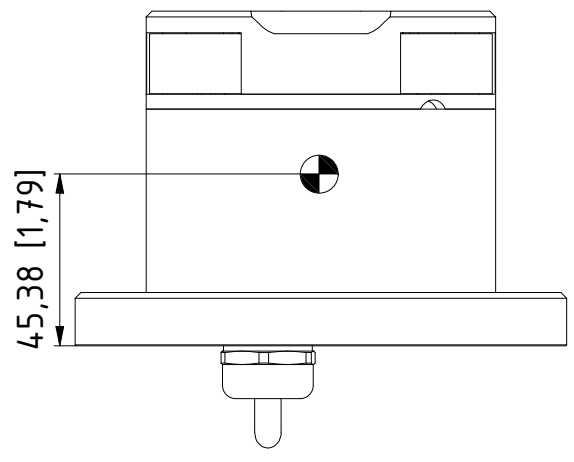
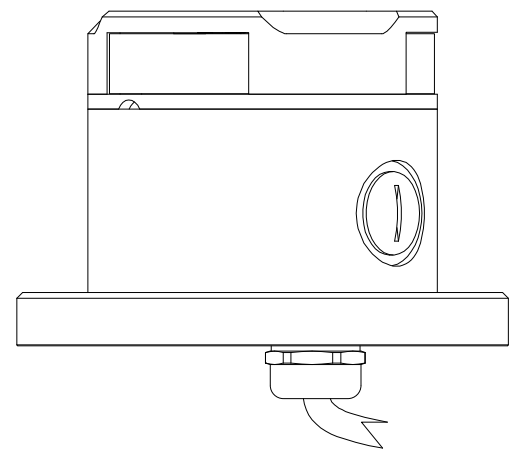
Tel:(+45) 32 48 50 30
 info@lopolight.com



This Drawing, and the information within, is the property of Lopolight ApS and may not be used in any form without express permission there from. Lopolight reserves the right to change this drawing and assumes no liability for the information communicated herein. Use of dimensions and other information in this drawing is at the users own risk.

A B C D E F G H I J

1
2
3
4
5
6
7
8



Dimensions : Millimetres [Inches]
 Estimated weight: 0,84 kg (1,86 lbs)

TITLE: 300-114G2 / 301-114 3nm 360° Red, silver anodized On a 400-034 Promount base, Cable Side					
DRAWING No.: 300-114G2 / 301-114			Sheet No.: 3	DRAWN BY: LSA	
SCALE: 1 : 2	SIZE: A3	REV. NO.:	TOLERANCES: DS/ISO 2768-f	REVIEWED BY:	CREATION DATE: 19-11-2024
MATERIAL DESCRIPTION: Alu. EN6082, Acrylic					
<small>(20µ) Silver anodized according to EN ISO 7599 (50µ) Black anodized according to MIL-A 8625F</small>					

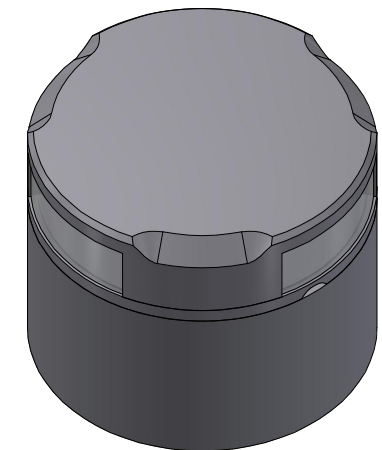
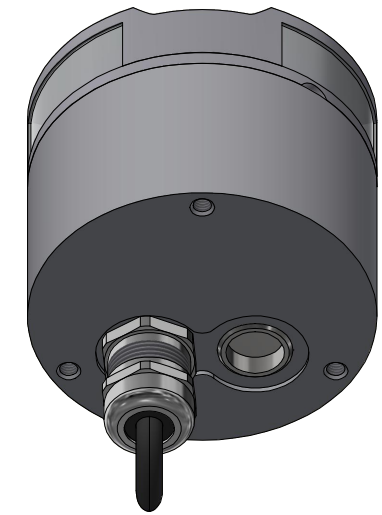
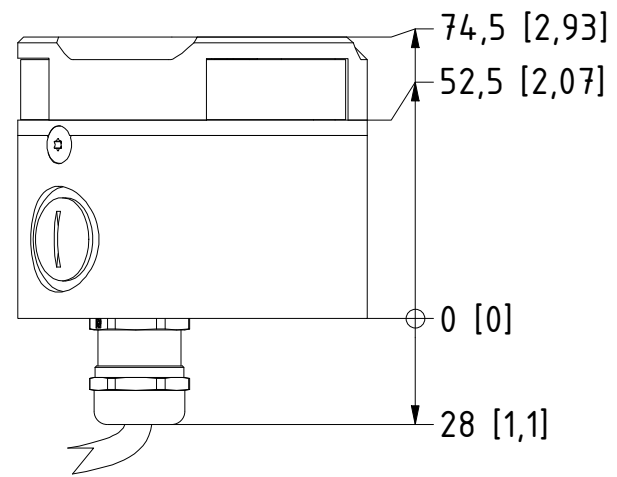
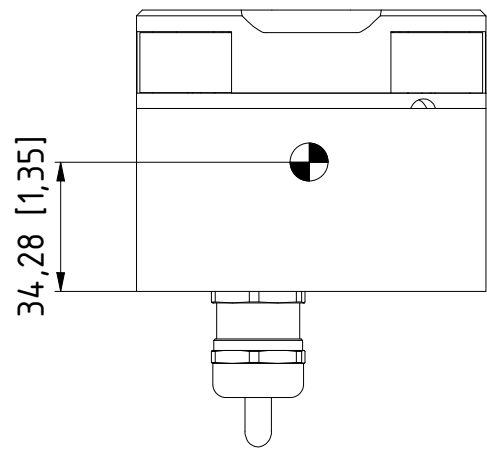
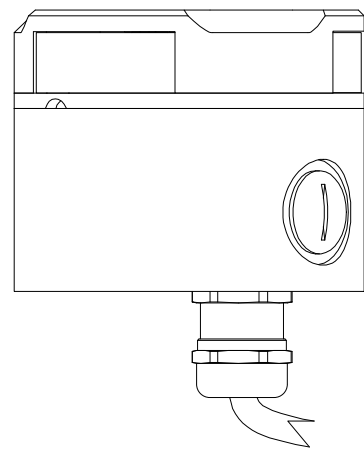


Lopolight ApS
 Bakkegaardsvej 513
 DK-3050, Humlebaek
 Denmark
www.lopolight.com

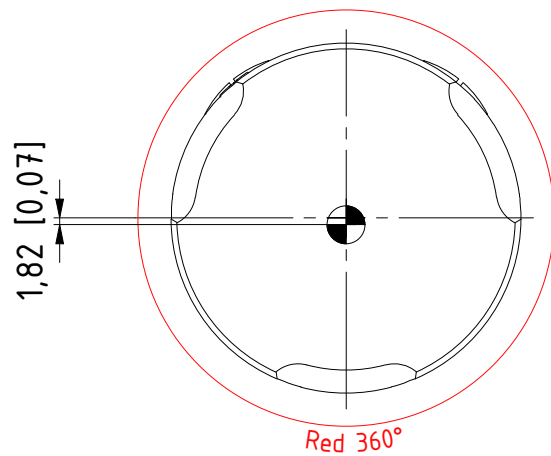
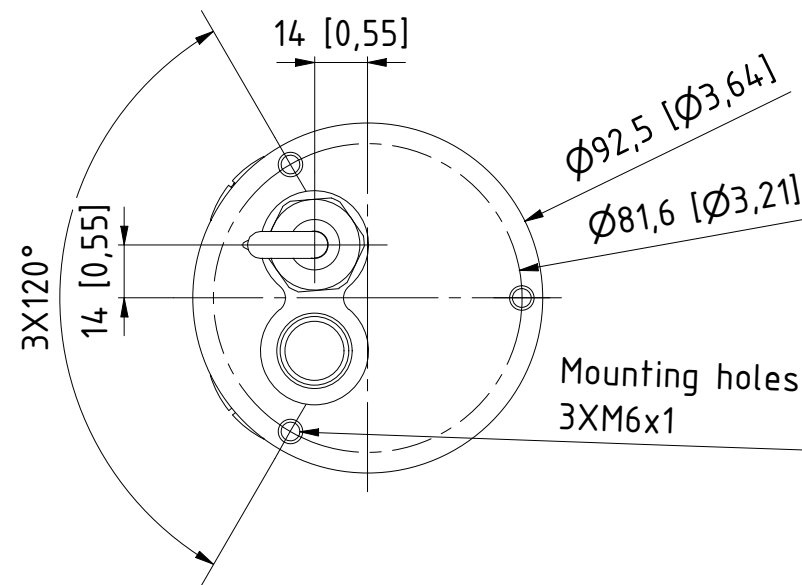
Tel: (+45) 32 48 50 30
info@lopolight.com



A B C D E F G H I J



D ↑
D



Dimensions : Millimetres [Inches]
Estimated weight:0,78 kg (1,72 lbs)

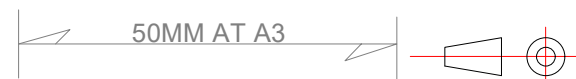
TITLE: 300-114G2 / 301-114 3nm 360° Red, silver anodized On a 400-034 Promount base, Cable Down					
DRAWING No.: 300-114G2 / 301-114				Sheet No.: 4	DRAWN BY: LSA
SCALE: 1 : 2	SIZE: A3	REV. NO.:	TOLERANCES: DS/ISO 2768-f	REVIEWED BY:	CREATION DATE: 19-11-2024
MATERIAL DESCRIPTION: Alu. EN6082, Acrylic					
(20µ) Silver anodized according to EN ISO 7599 (50µ) Black anodized according to MIL-A 8625F					

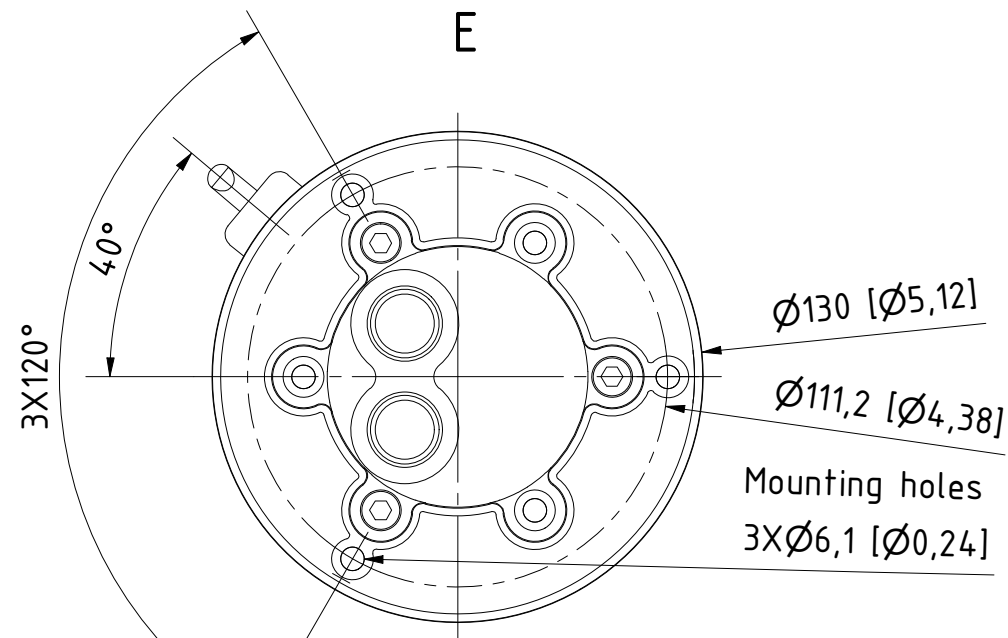
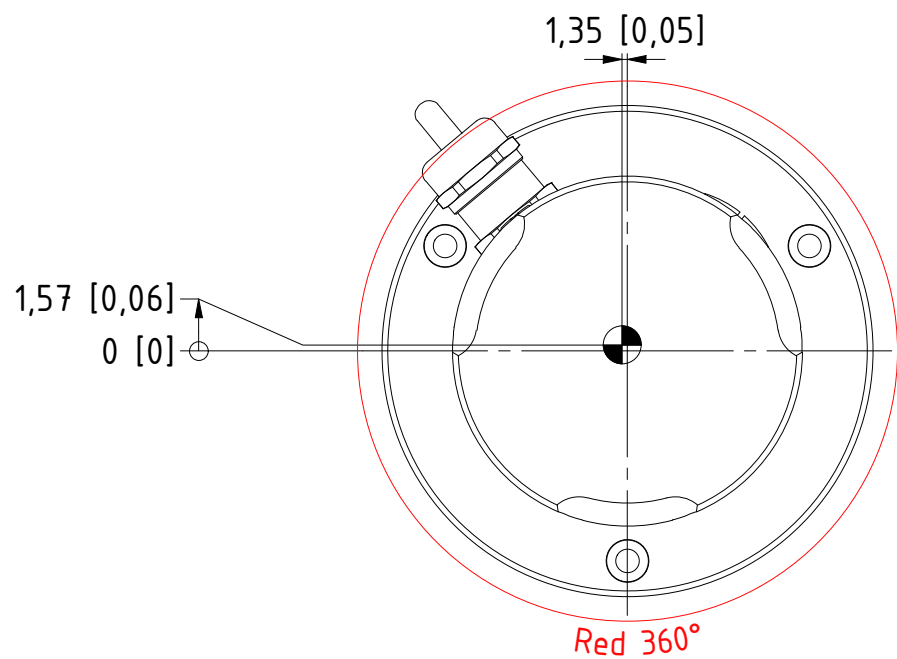
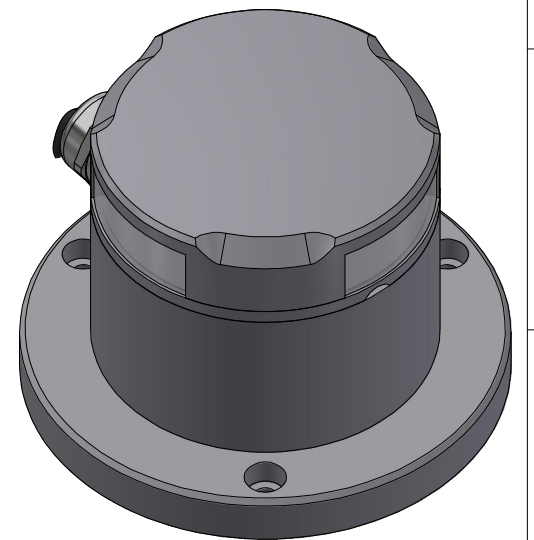
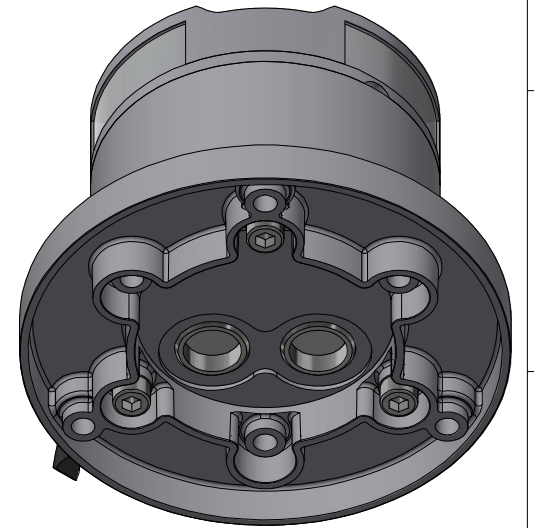
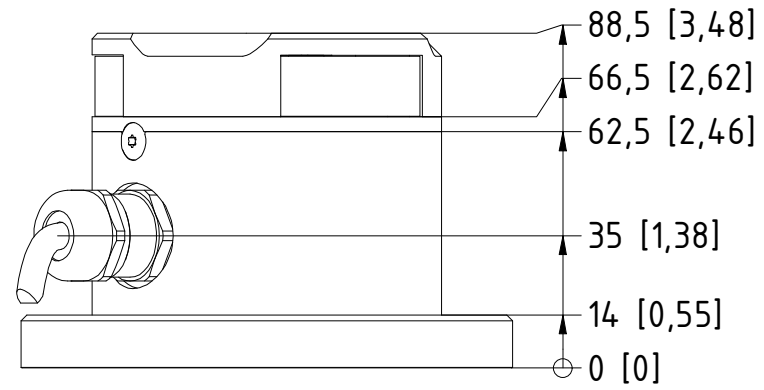
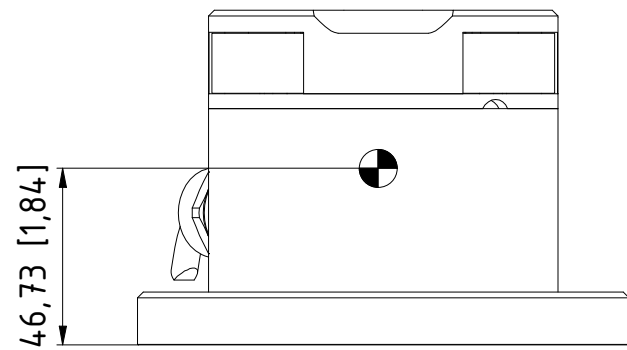
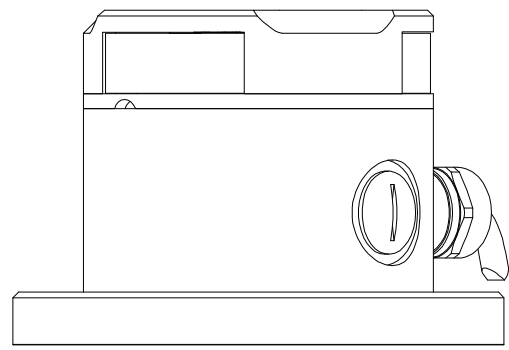
This Drawing, and the information within, is the property of Lopolight ApS and may not be used in any form without express permission there from. Lopolight reserves the right to change this drawing and assumes no liability for the information communicated herein. Use of dimensions and other information in this drawing is at the users own risk.



Lopolight ApS
Bakkegaardsvej 513
DK-3050, Humlebaek
Denmark
www.lopolight.com

Tel:(+45) 32 48 50 30
info@lopolight.com





Dimensions : Millimetres [Inches]
 Estimated weight:0,84 kg (1,86 lbs)

TITLE:
300-114G2 / 301-114
 3nm 360° Red, silver anodized
 On a 400-034 Promount base and 400-404 PE base plate, Cable Side

DRAWING No.:	Sheet No.:	DRAWN BY:
300-114G2 / 301-114	5	LSA

SCALE:	SIZE:	REV. NO.:	TOLERANCES:	REVIEWED BY:	CREATION DATE:
1 : 2	A3		DS/ISO 2768-f		19-11-2024

MATERIAL DESCRIPTION:
 Alu. EN6082, Acrylic, PE

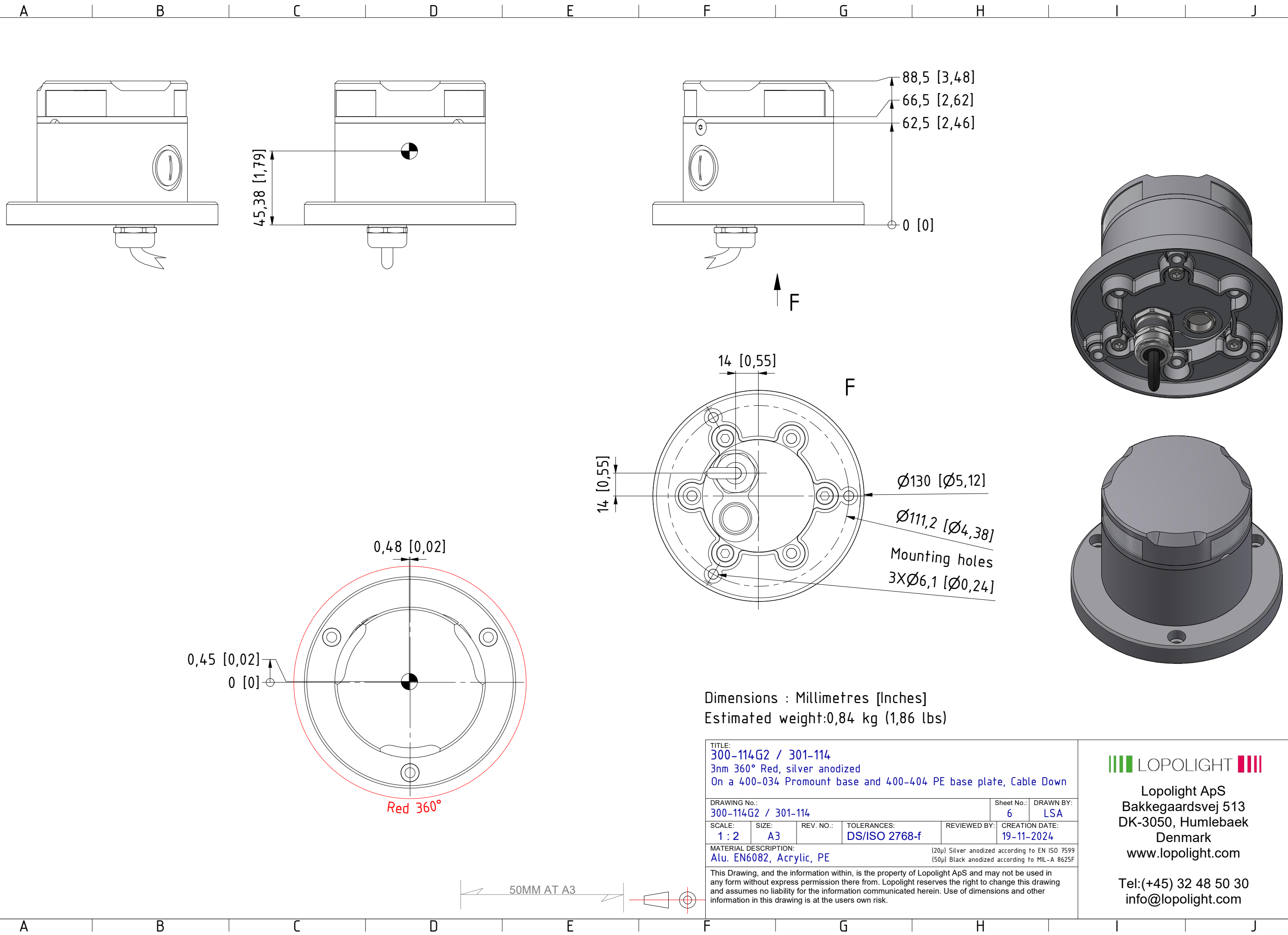
(20µ) Silver anodized according to EN ISO 7599
 (50µ) Black anodized according to MIL-A 8625F
 This Drawing, and the information within, is the property of Lopolight ApS and may not be used in any form without express permission there from. Lopolight reserves the right to change this drawing and assumes no liability for the information communicated herein. Use of dimensions and other information in this drawing is at the users own risk.



Lopolight ApS
 Bakkegaardsvej 513
 DK-3050, Humlebaek
 Denmark
 www.lopolight.com

Tel:(+45) 32 48 50 30
 info@lopolight.com





Dimensions : Millimetres [Inches]
 Estimated weight:0,84 kg (1,86 lbs)

TITLE: 300-114G2 / 301-114 3nm 360° Red, silver anodized On a 400-034 Promount base and 400-404 PE base plate, Cable Down					
DRAWING No.:			Sheet No.:	DRAWN BY:	
300-114G2 / 301-114			6	LSA	
SCALE:	SIZE:	REV. NO.:	TOLERANCES:	REVIEWED BY:	CREATION DATE:
1 : 2	A3		DS/ISO 2768-f		19-11-2024
MATERIAL DESCRIPTION:					
Alu. EN6082, Acrylic, PE			(20µ) Silver anodized according to EN ISO 7599 (50µ) Black anodized according to MIL-A 8625F		

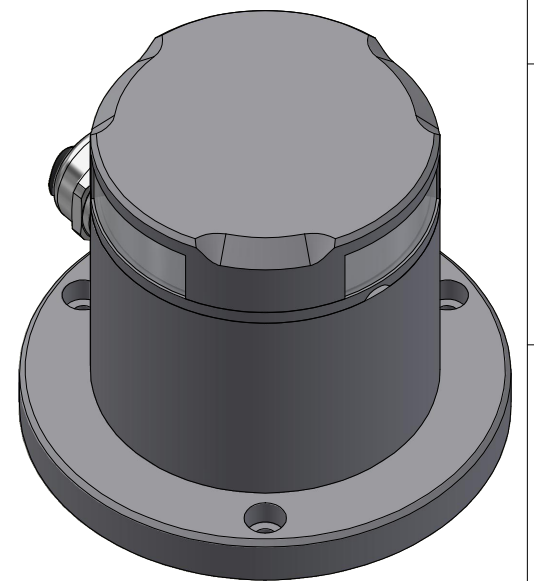
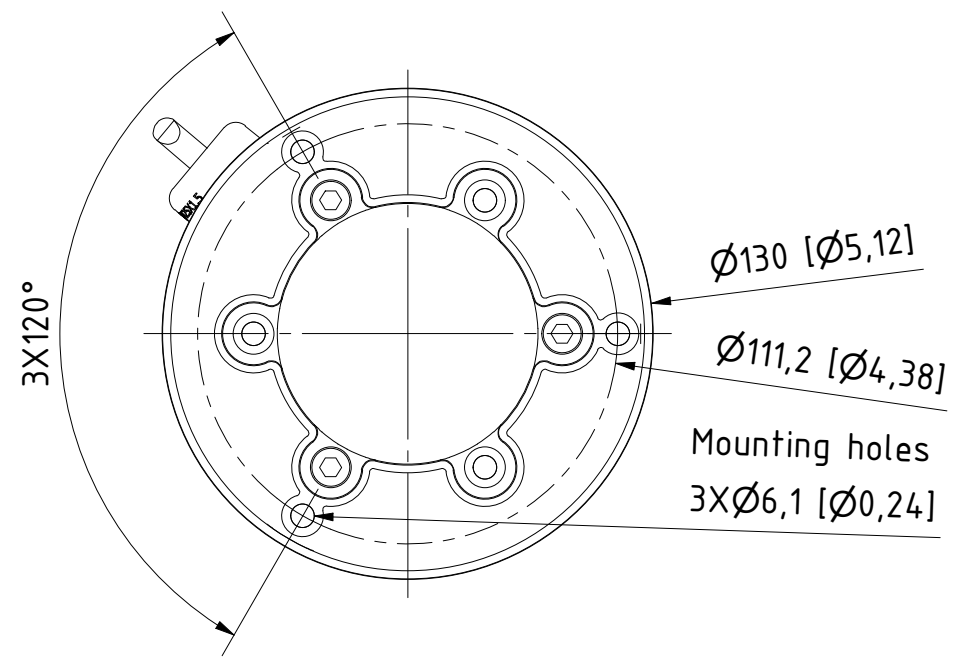
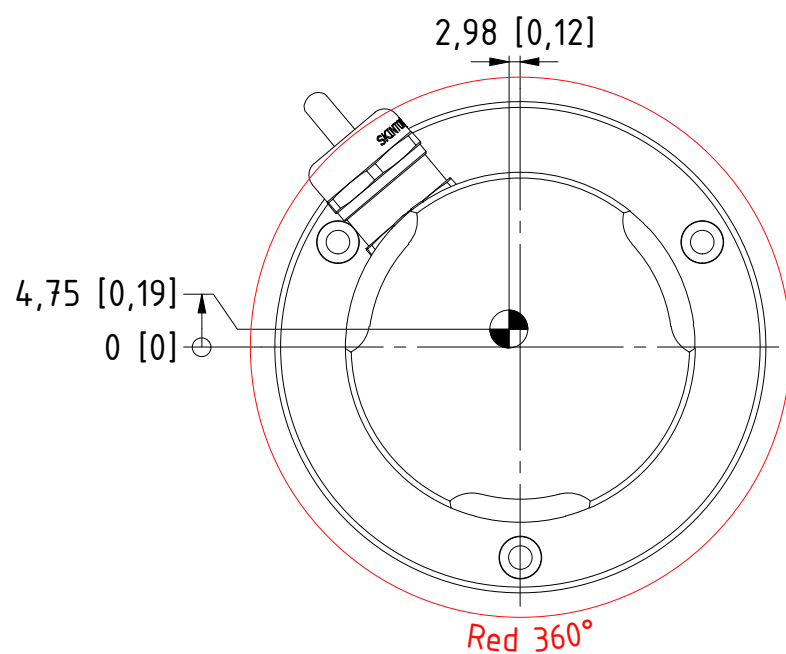
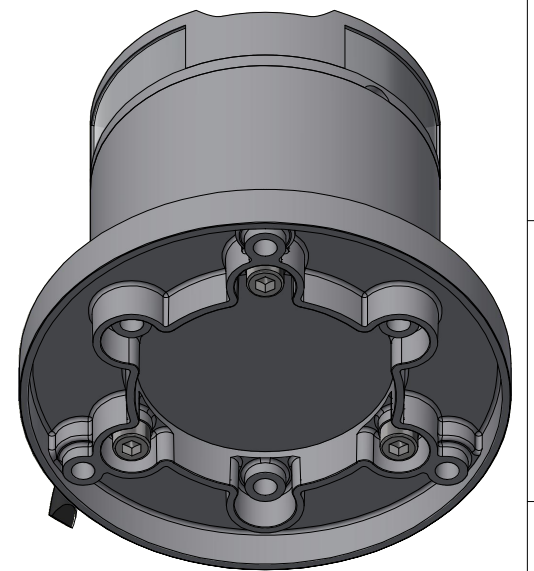
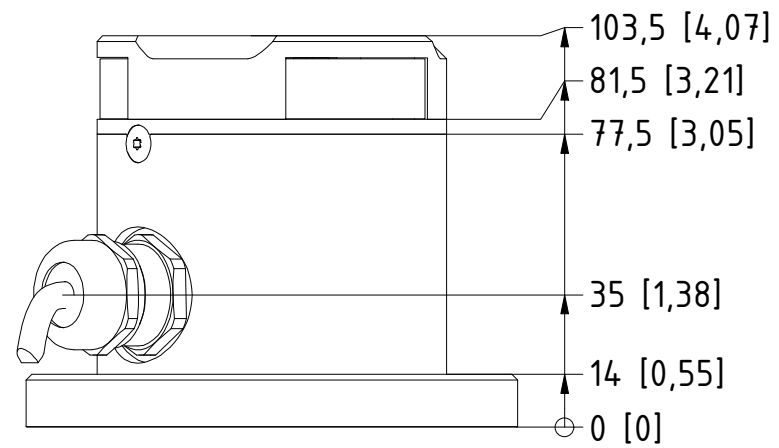
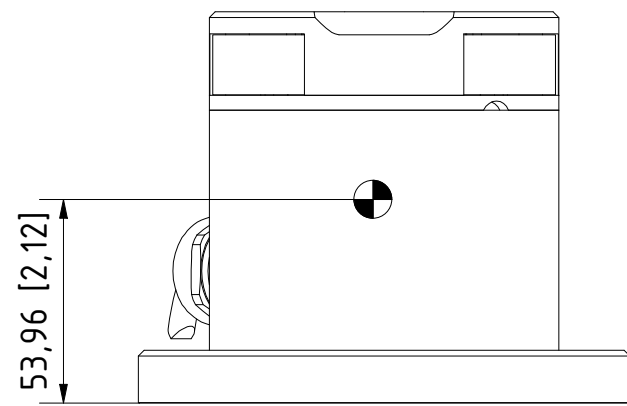
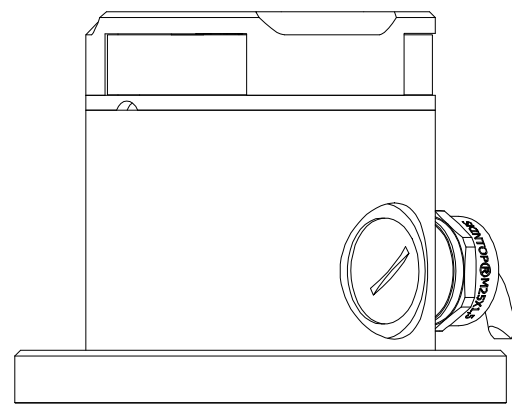
This Drawing, and the information within, is the property of Lopolight ApS and may not be used in any form without express permission there from. Lopolight reserves the right to change this drawing and assumes no liability for the information communicated herein. Use of dimensions and other information in this drawing is at the users own risk.

LOPOLIGHT

Lopolight ApS
 Bakkegaardsvej 513
 DK-3050, Humlebaek
 Denmark
 www.lopolight.com

Tel:(+45) 32 48 50 30
 info@lopolight.com





Dimensions : Millimetres [Inches]
 Estimated weight:1,02 kg (2,25 lbs)

TITLE: 300-114G2 / 301-114 3nm 360° Red, silver anodized On a 400-037 Promount base and 400-404 PE base plate , Cable Side					
DRAWING No.:			Sheet No.:		DRAWN BY:
300-114G2 / 301-114			7		LSA
SCALE:	SIZE:	REV. NO.:	TOLERANCES:	REVIEWED BY:	CREATION DATE:
1 : 2	A3		DS/ISO 2768-f		19-11-2024
MATERIAL DESCRIPTION:					
Alu. EN6082, Acrylic, PE <small>(20µ) Silver anodized according to EN ISO 7599 (50µ) Black anodized according to MIL-A 8625F</small>					

This Drawing, and the information within, is the property of Lopolight ApS and may not be used in any form without express permission there from. Lopolight reserves the right to change this drawing and assumes no liability for the information communicated herein. Use of dimensions and other information in this drawing is at the users own risk.



Lopolight ApS
 Bakkegaardsvej 513
 DK-3050, Humlebaek
 Denmark
 www.lopolight.com

Tel:(+45) 32 48 50 30
 info@lopolight.com

