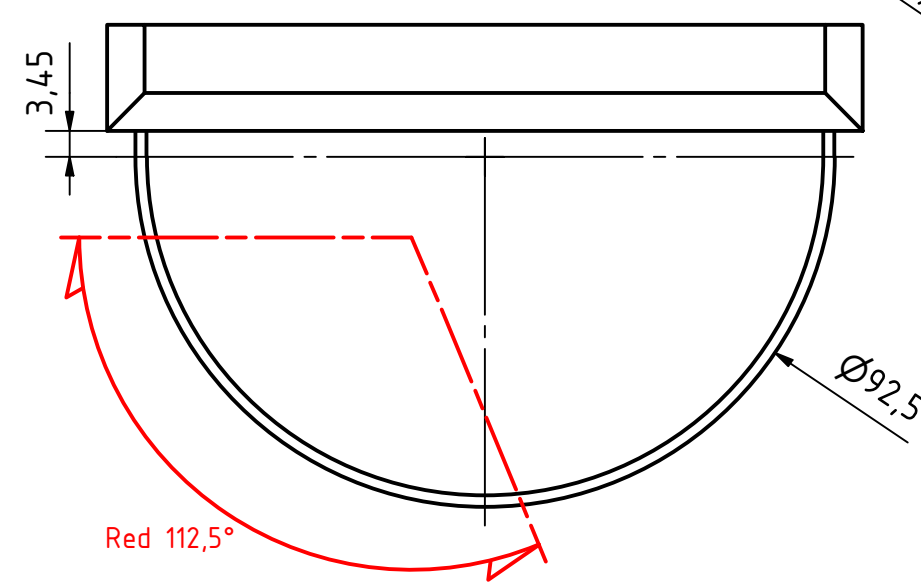
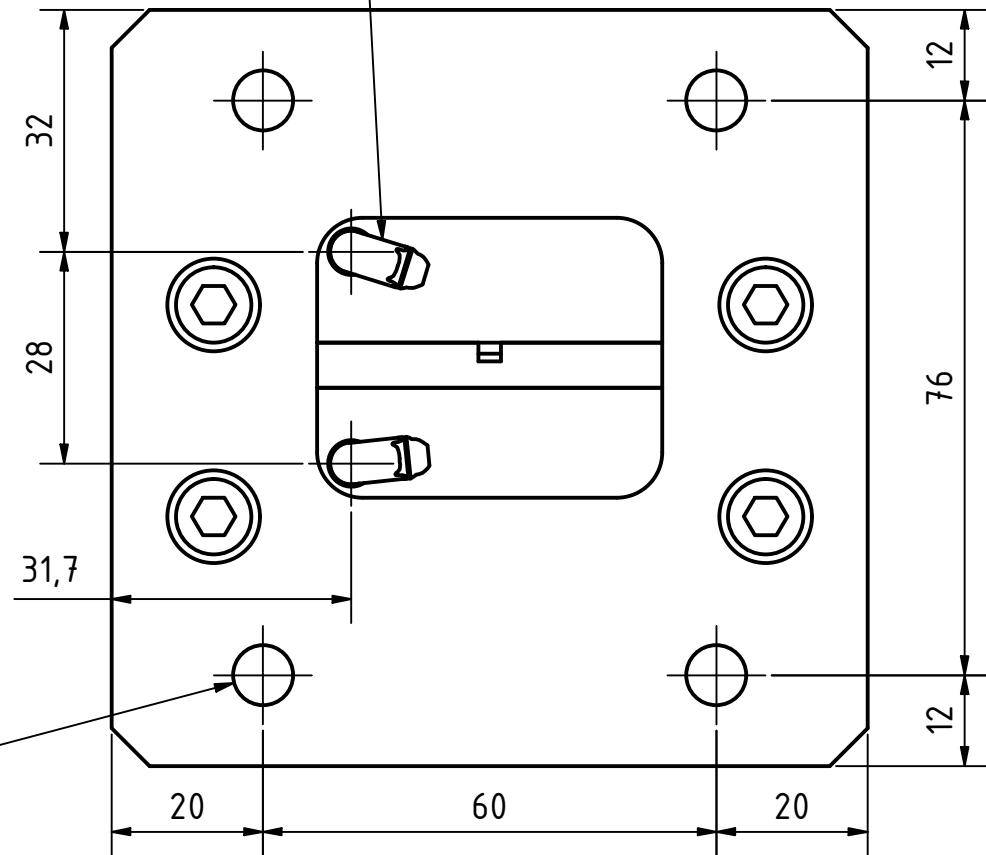


Pre-wired Cable Exit $\phi 5,5$ mm shielded marine cable



TITLE: 301-002ST-WH 2nm Port sidelight, Double, white anodized, Vertical Mount on a 902-016 mounting plate					
DRAWING NO.: 301-002ST-WH				DRAWN BY: LSA	
SCALE: 1 : 1	SIZE: A3	REV. NO.: 0	TOLERANCES: DS/ISO 2768-f	REVIEWED BY:	CREATION DATE: 09/01/2023
MATERIAL DESCRIPTION: Alu. EN6082, Acrylic					
<small>(20µ) Silver anodized according to EN ISO 7599 (50µ) Black anodized according to MIL-A 8625F</small>					
<small>This Drawing, and the information within, is the property of Lopolight ApS and may not be used in any form without express permission there from. Lopolight reserves the right to change this drawing and assumes no liability for the information communicated herein. Use of dimensions and other information in this drawing is at the users own risk.</small>					


Lopolight ApS
 Bakkegaardsvej 513
 DK-3050, Humlebaek
 Denmark
www.lopolight.com
 Tel: (+45) 32 48 50 30
 info@lopolight.com