

Dimensions : Millimetres [Inches]  
 Estimated weight:1,2 kg (2,6 lbs)

TITLE: <b>301-009ST-PRO-EX</b> 2nm port, double, black Ex Zone 1&2 On a 400-037-EX Promount base and 400-404 PE base plate , Cable Side					
DRAWING No.:				Sheet No.:	DRAWN BY:
301-009ST-PRO-EX				1	LSA
SCALE:	SIZE:	REV. NO.:	TOLERANCES:	REVIEWED BY:	CREATION DATE:
1 : 2	A3		DS/ISO 2768-f		22-03-2024
MATERIAL DESCRIPTION:					
Alu. EN6082, Acrylic, PE					
<small>(20µ) Silver anodized according to EN ISO 7599          (50µ) Black anodized according to MIL-A 8625F</small>					

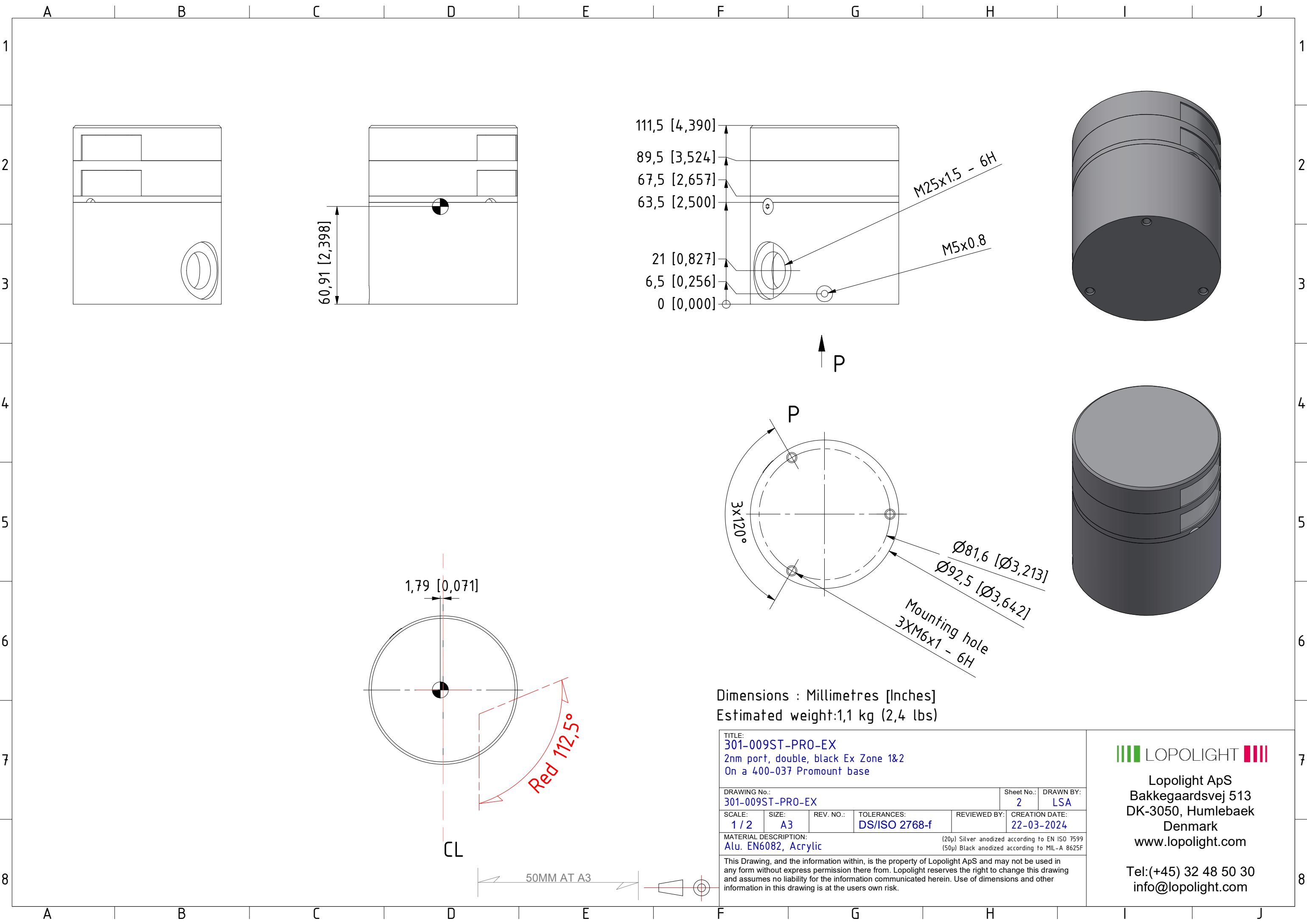
This Drawing, and the information within, is the property of Lopolight ApS and may not be used in any form without express permission there from. Lopolight reserves the right to change this drawing and assumes no liability for the information communicated herein. Use of dimensions and other information in this drawing is at the users own risk.



Lopolight ApS  
 Bakkegaardsvej 513  
 DK-3050, Humlebaek  
 Denmark  
 www.lopolight.com

Tel:(+45) 32 48 50 30  
 info@lopolight.com





60,91 [2,398]

111,5 [4,390]  
 89,5 [3,524]  
 67,5 [2,657]  
 63,5 [2,500]  
 21 [0,827]  
 6,5 [0,256]  
 0 [0,000]

M25x1.5 - 6H

M5x0.8

P

P

3x120°

Ø81,6 [Ø3,213]  
 Ø92,5 [Ø3,642]

Mounting hole  
 3XM6x1 - 6H

1,79 [0,071]

Red 112,5°

CL

50MM AT A3

Dimensions : Millimetres [Inches]  
 Estimated weight:1,1 kg (2,4 lbs)

TITLE: 301-009ST-PRO-EX 2nm port, double, black Ex Zone 1&2 On a 400-037 Promount base					
DRAWING No.: 301-009ST-PRO-EX				Sheet No.: 2	DRAWN BY: LSA
SCALE: 1/2	SIZE: A3	REV. NO.:	TOLERANCES: DS/ISO 2768-f	REVIEWED BY:	CREATION DATE: 22-03-2024
MATERIAL DESCRIPTION: Alu. EN6082, Acrylic <small>(20µ) Silver anodized according to EN ISO 7599 (50µ) Black anodized according to MIL-A 8625F</small>					

This Drawing, and the information within, is the property of Lopolight ApS and may not be used in any form without express permission there from. Lopolight reserves the right to change this drawing and assumes no liability for the information communicated herein. Use of dimensions and other information in this drawing is at the users own risk.



Lopolight ApS  
 Bakkegaardsvej 513  
 DK-3050, Humlebaek  
 Denmark  
 www.lopolight.com

Tel:(+45) 32 48 50 30  
 info@lopolight.com