

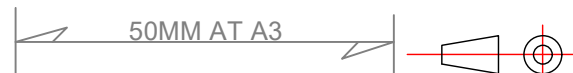
Mounting hole  
M6x1 -8 DEEP

<b>TITLE:</b> 301-112-WH 3nm 360° White On a 400-035 Promount base, Cable Down					
<b>DRAWING No.:</b> 301-112-WH				<b>Sheet No.:</b> 1	<b>DRAWN BY:</b> LSA
<b>SCALE:</b> 1 : 2	<b>SIZE:</b> A3	<b>REV. NO.:</b>	<b>TOLERANCES:</b> DS/ISO 2768-f	<b>REVIEWED BY:</b>	<b>CREATION DATE:</b> 09-02-2023
<b>MATERIAL DESCRIPTION:</b> Atu. EN6082, Acrylic					
<small>(20µ) Silver anodized according to EN ISO 7599          (50µ) Black anodized according to MIL-A 8625F</small>					

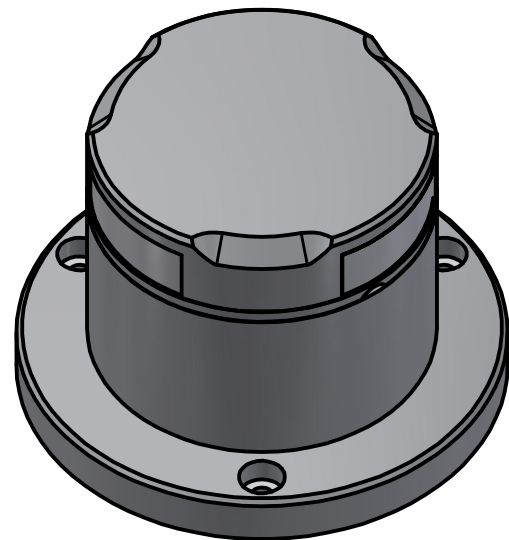
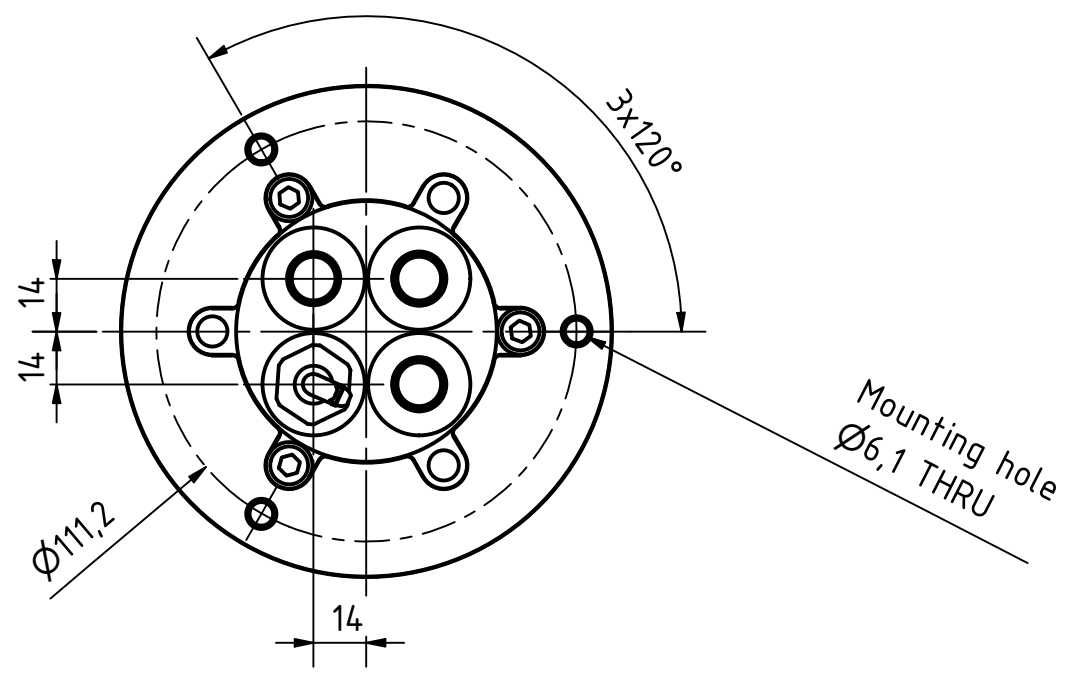
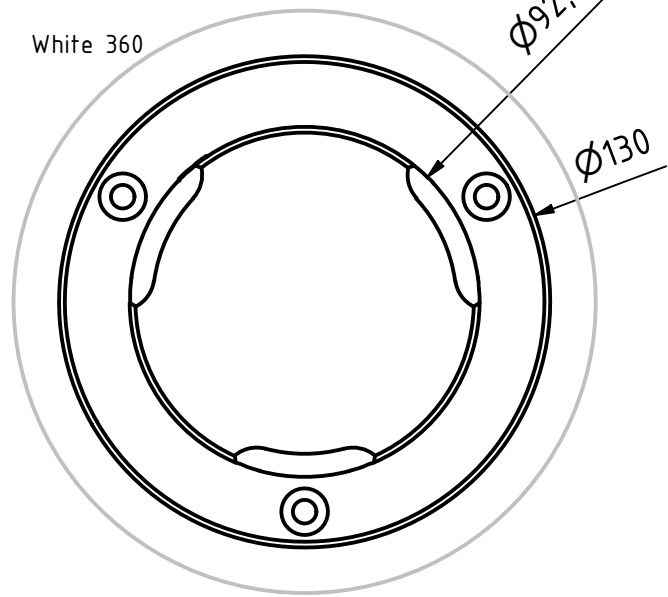
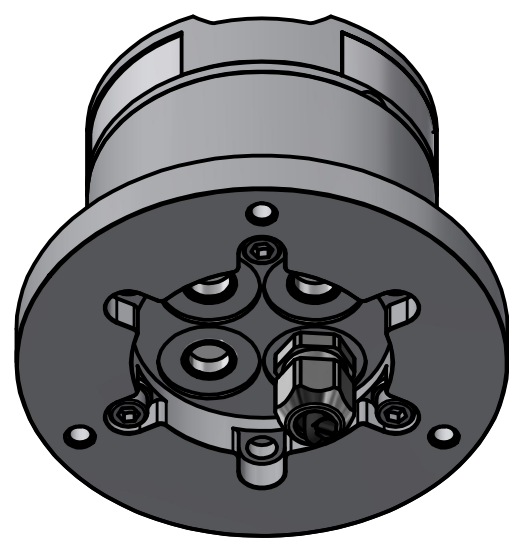
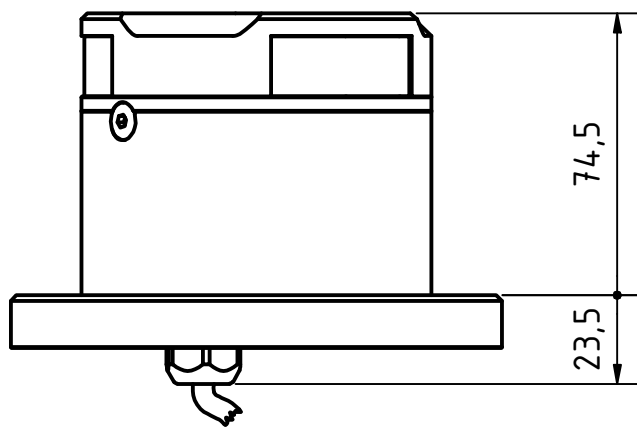
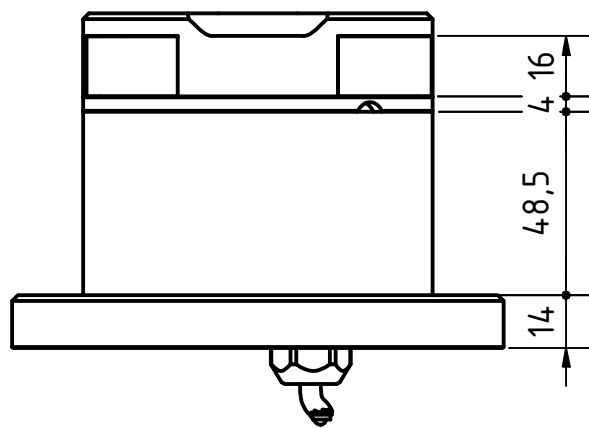
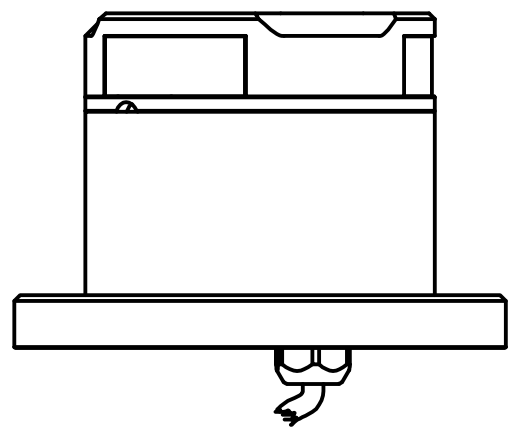


Lopolight ApS  
 Bakkegaardsvej 513  
 DK-3050, Humlebaek  
 Denmark  
 www.lopolight.com

Tel: (+45) 32 48 50 30  
 info@lopolight.com



This Drawing, and the information within, is the property of Lopolight ApS and may not be used in any form without express permission there from. Lopolight reserves the right to change this drawing and assumes no liability for the information communicated herein. Use of dimensions and other information in this drawing is at the users own risk.



<b>TITLE:</b> 301-112-WH 3nm 360° White On a 400-035 Promount base and 400-401 circular aluminium baseplate, Cable Down					
<b>DRAWING No.:</b> 301-112-WH				<b>Sheet No.:</b> 2	<b>DRAWN BY:</b> LSA
<b>SCALE:</b> 1 : 2	<b>SIZE:</b> A3	<b>REV. NO.:</b>	<b>TOLERANCES:</b> DS/ISO 2768-f	<b>REVIEWED BY:</b>	<b>CREATION DATE:</b> 09-02-2023
<b>MATERIAL DESCRIPTION:</b> Alu. EN6082, Acrylic					
<small>(20µ) Silver anodized according to EN ISO 7599          (50µ) Black anodized according to MIL-A 8625F</small>					

This Drawing, and the information within, is the property of Lopolight ApS and may not be used in any form without express permission there from. Lopolight reserves the right to change this drawing and assumes no liability for the information communicated herein. Use of dimensions and other information in this drawing is at the users own risk.

**LOPOLIGHT**

Lopolight ApS  
 Bakkegaardsvej 513  
 DK-3050, Humlebaek  
 Denmark  
 www.lopolight.com

Tel: (+45) 32 48 50 30  
 info@lopolight.com

