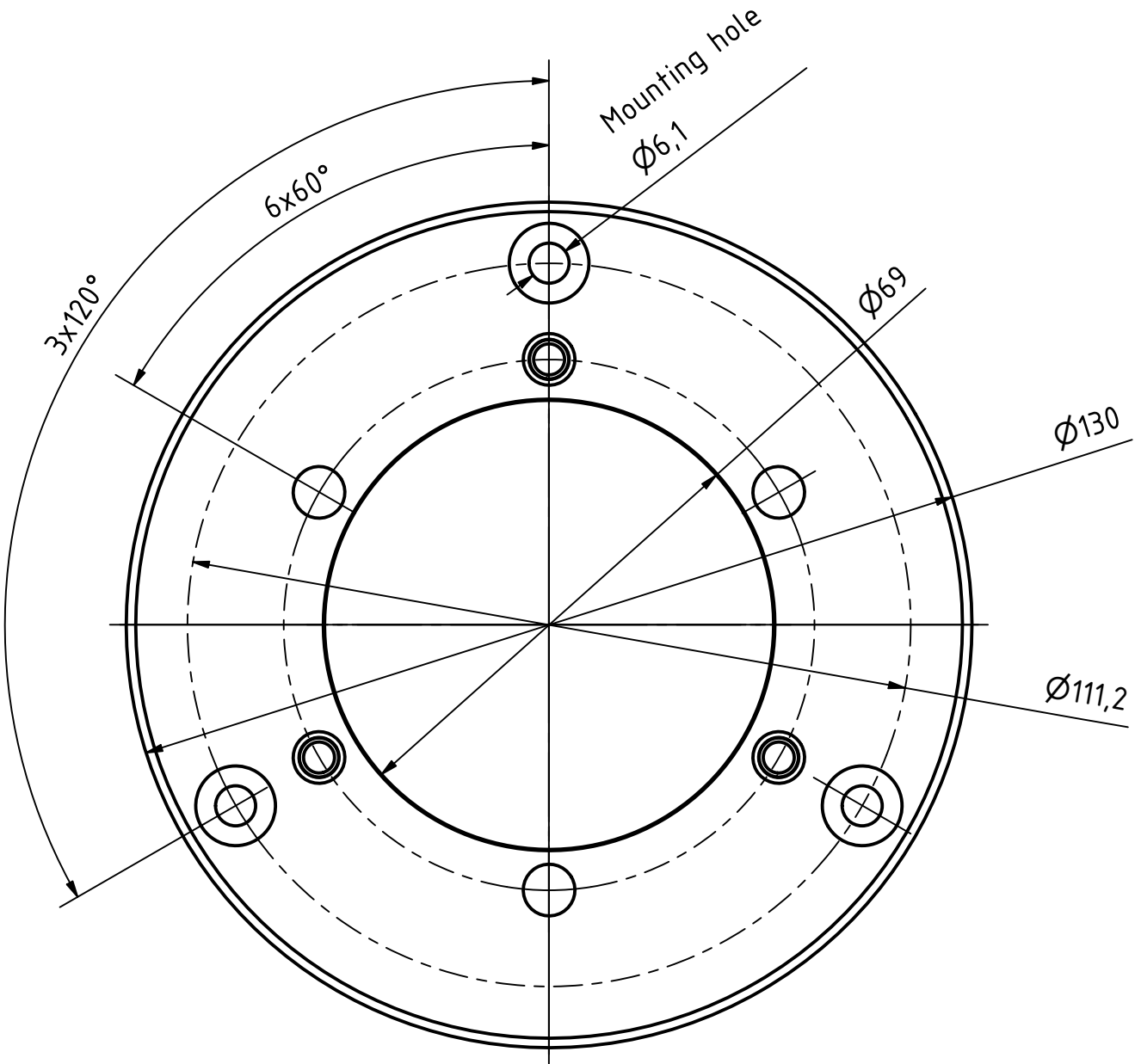
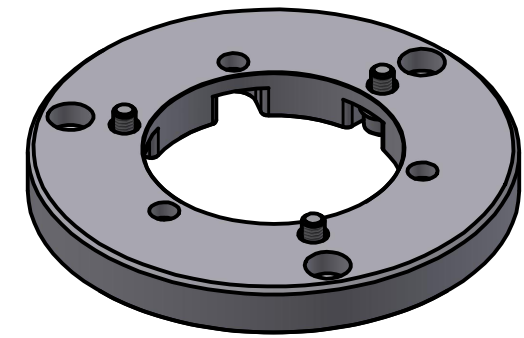
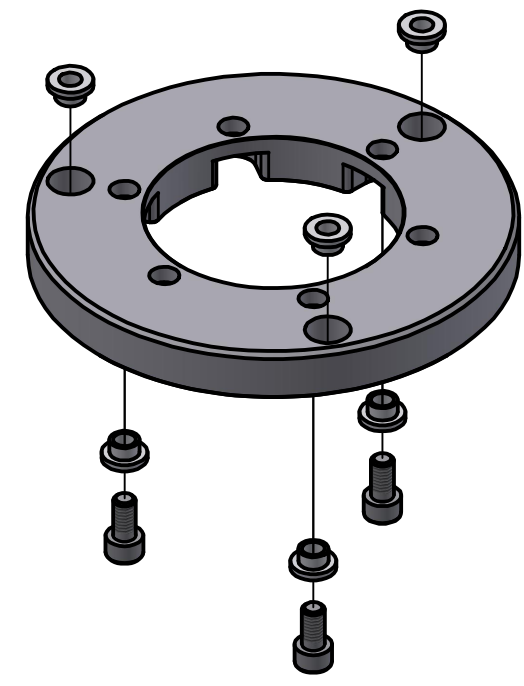
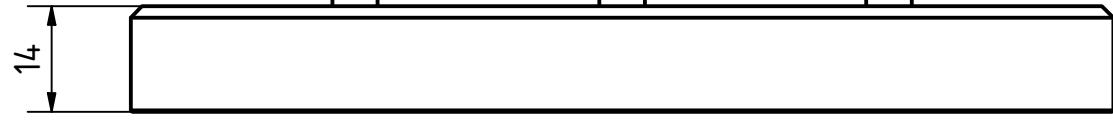


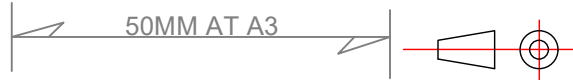
Mounting bolts on lights base



TITLE: <b>400-401</b> Circular aluminium baseplate					
DRAWING No.:				Sheet No.:	DRAWN BY:
400-401				1	LSA
SCALE:	SIZE:	REV. NO.:	TOLERANCES:	REVIEWED BY:	CREATION DATE:
1 : 1	A3	0	DS/ISO 2768-f	PHH	22-02-2023
MATERIAL DESCRIPTION:					


  
 Lopolight ApS  
 Bakkegaardsvej 513  
 DK-3050, Humlebaek  
 Denmark  
[www.lopolight.com](http://www.lopolight.com)

This Drawing, and the information within, is the property of Lopolight ApS and may not be used in any form without express permission there from. Lopolight reserves the right to change this drawing and assumes no liability for the information communicated herein. Use of dimensions and other information in this drawing is at the users own risk.



Tel: (+45) 32 48 50 30  
[info@lopolight.com](mailto:info@lopolight.com)