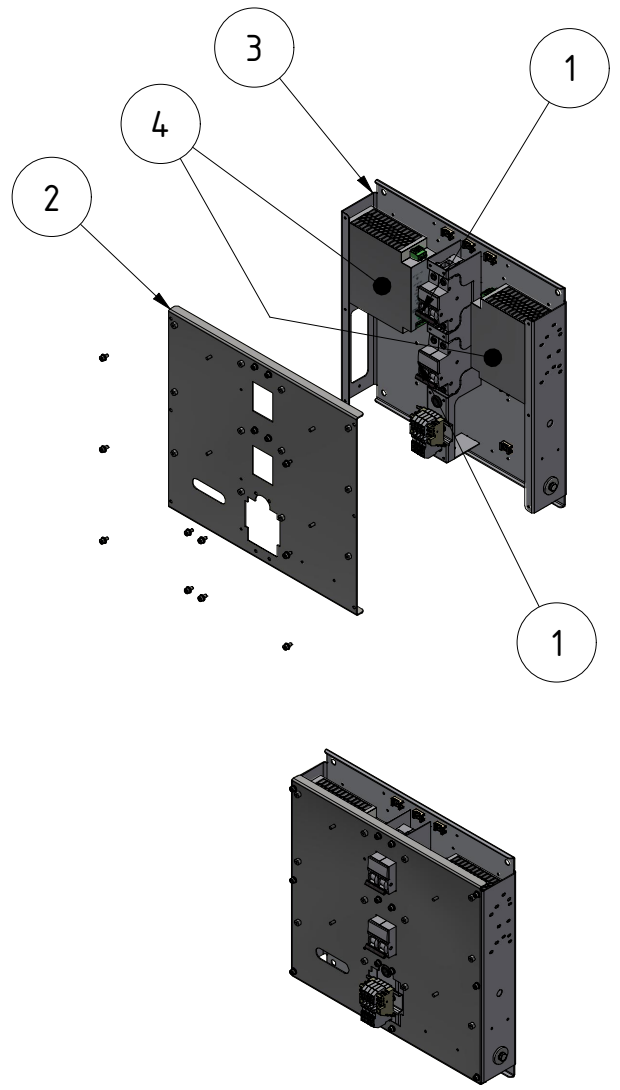


PARTS LIST			
ITEM	QTY	PART NUMBER	DESCRIPTION
1	2	600-927	Automatsikring 20A
2	1	901-023	Top Plate for NLC
3	1	901-020	Bottom plate assembly NLC
4	2	600-918	QUINT -PS/24VDC/24VDC/10
7			Mimic



Dimensions : Millimetres [Inches]
 Estimated weight: 5,5 kg (12 lbs)

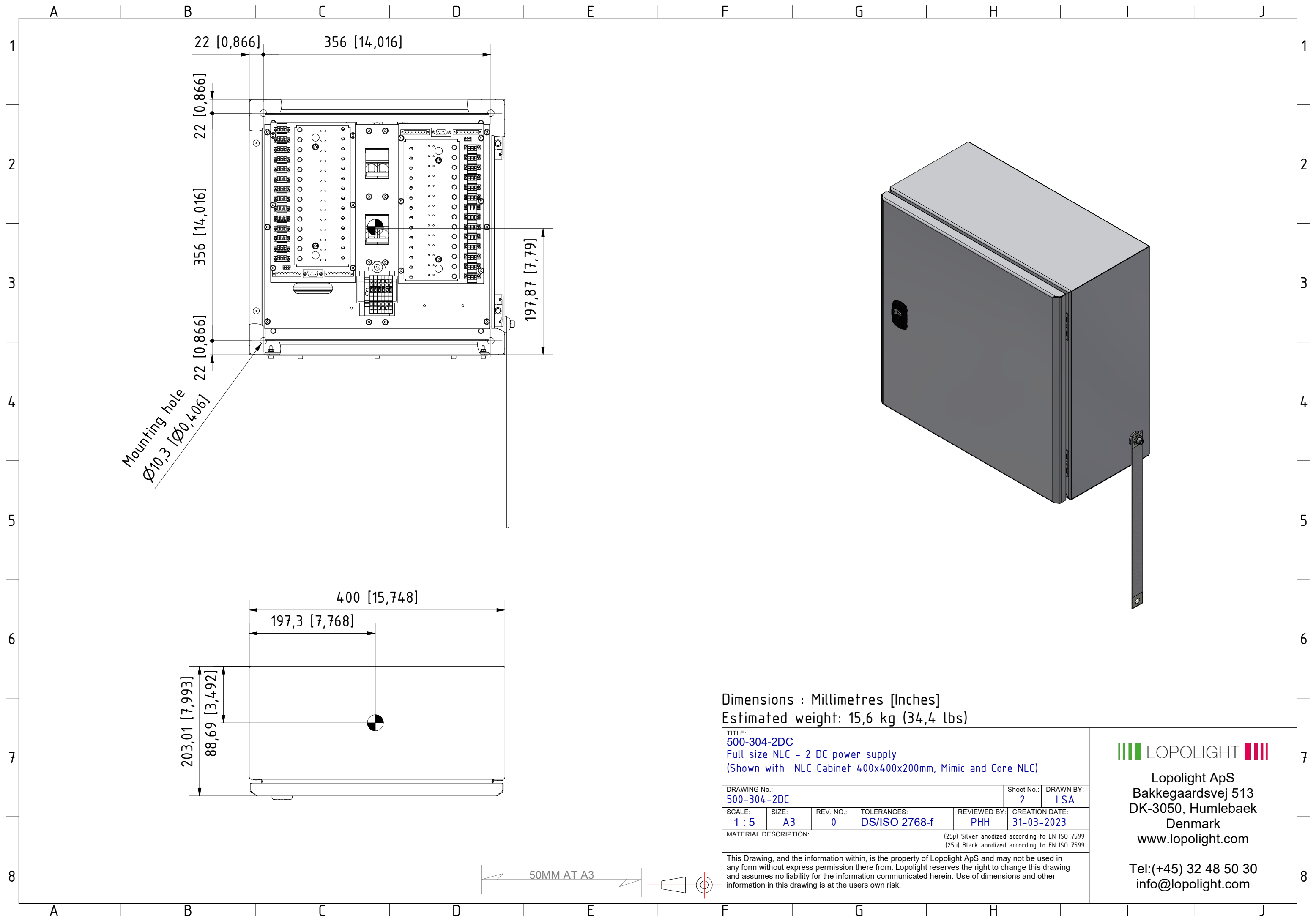
TITLE: 500-304-2DC Full size NLC - 2 DC power supply					
DRAWING No.: 500-304-2DC			Sheet No.: 1	DRAWN BY: LSA	
SCALE: 1 : 2	SIZE: A3	REV. NO.: 0	TOLERANCES: DS/ISO 2768-f	REVIEWED BY: PHH	CREATION DATE: 31-03-2023
MATERIAL DESCRIPTION: (25µ) Silver anodized according to EN ISO 7599 (25µ) Black anodized according to EN ISO 7599					

LOPOLIGHT
 Lopolight ApS
 Bakkegaardsvej 513
 DK-3050, Humlebaek
 Denmark
www.lopolight.com

Tel: (+45) 32 48 50 30
 info@lopolight.com



This Drawing, and the information within, is the property of Lopolight ApS and may not be used in any form without express permission there from. Lopolight reserves the right to change this drawing and assumes no liability for the information communicated herein. Use of dimensions and other information in this drawing is at the users own risk.



Mounting hole
 $\varnothing 10,3$ [$\varnothing 0,406$]

Dimensions : Millimetres [Inches]
 Estimated weight: 15,6 kg (34,4 lbs)

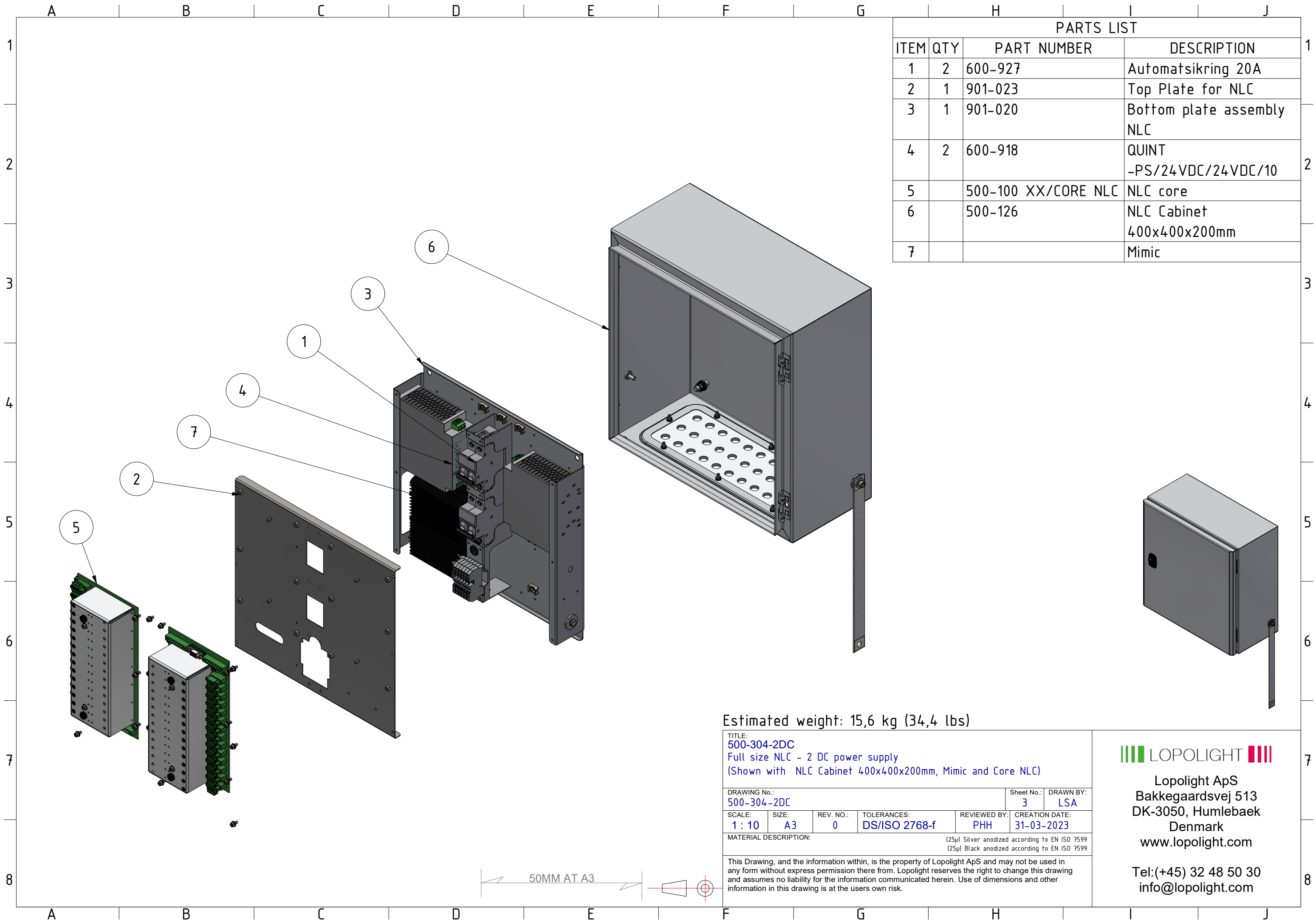
TITLE: 500-304-2DC Full size NLC - 2 DC power supply (Shown with NLC Cabinet 400x400x200mm, Mimic and Core NLC)					
DRAWING No.: 500-304-2DC				Sheet No.: 2	DRAWN BY: LSA
SCALE: 1 : 5	SIZE: A3	REV. NO.: 0	TOLERANCES: DS/ISO 2768-f	REVIEWED BY: PHH	CREATION DATE: 31-03-2023
MATERIAL DESCRIPTION: (25µ) Silver anodized according to EN ISO 7599 (25µ) Black anodized according to EN ISO 7599					

LOPOLIGHT
 Lopolight ApS
 Bakkegaardsvej 513
 DK-3050, Humlebaek
 Denmark
www.lopolight.com

Tel: (+45) 32 48 50 30
info@lopolight.com

This Drawing, and the information within, is the property of Lopolight ApS and may not be used in any form without express permission there from. Lopolight reserves the right to change this drawing and assumes no liability for the information communicated herein. Use of dimensions and other information in this drawing is at the users own risk.





PARTS LIST			
ITEM	QTY	PART NUMBER	DESCRIPTION
1	2	600-927	Automatsikring 20A
2	1	901-023	Top Plate for NLC
3	1	901-020	Bottom plate assembly NLC
4	2	600-918	QUINT -PS/24VDC/24VDC/10
5		500-100 XX/CORE NLC	NLC core
6		500-126	NLC Cabinet 400x400x200mm
7			Mimic

Estimated weight: 15,6 kg (34,4 lbs)

TITLE: 500-304-2DC Full size NLC - 2 DC power supply (Shown with NLC Cabinet 400x400x200mm, Mimic and Core NLC)					
DRAWING No.:			Sheet No.:	DRAWN BY:	
500-304-2DC			3	LSA	
SCALE:	SIZE:	REV. NO.:	TOLERANCES:	REVIEWED BY:	CREATION DATE:
1 : 10	A3	0	DS/ISO 2768-f	PHH	31-03-2023
MATERIAL DESCRIPTION:					
(25µ) Silver anodized according to EN ISO 7599 (25µ) Black anodized according to EN ISO 7599					



Lopolight ApS
 Bakkegaardsvej 513
 DK-3050, Humlebaek
 Denmark
www.lopolight.com

Tel: (+45) 32 48 50 30
info@lopolight.com

This Drawing, and the information within, is the property of Lopolight ApS and may not be used in any form without express permission there from. Lopolight reserves the right to change this drawing and assumes no liability for the information communicated herein. Use of dimensions and other information in this drawing is at the users own risk.